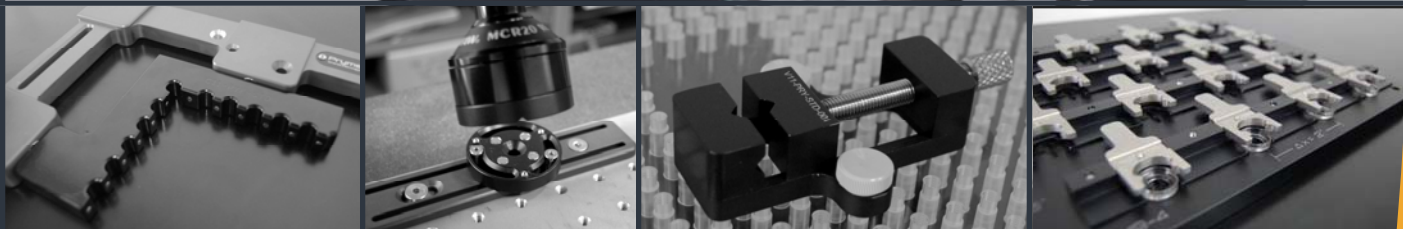
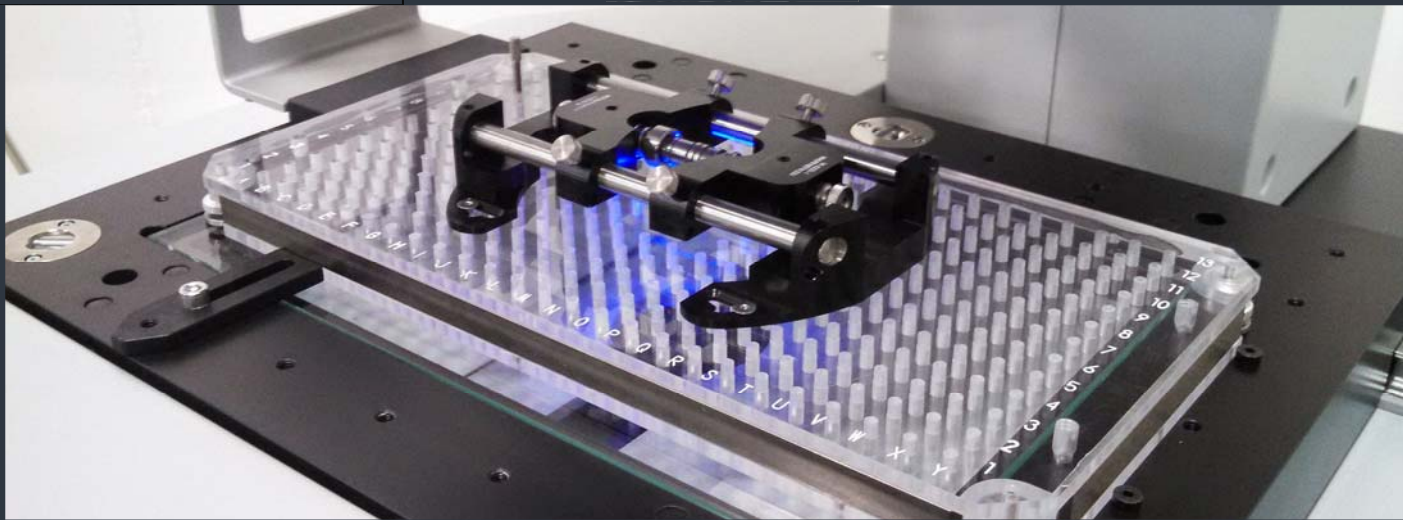
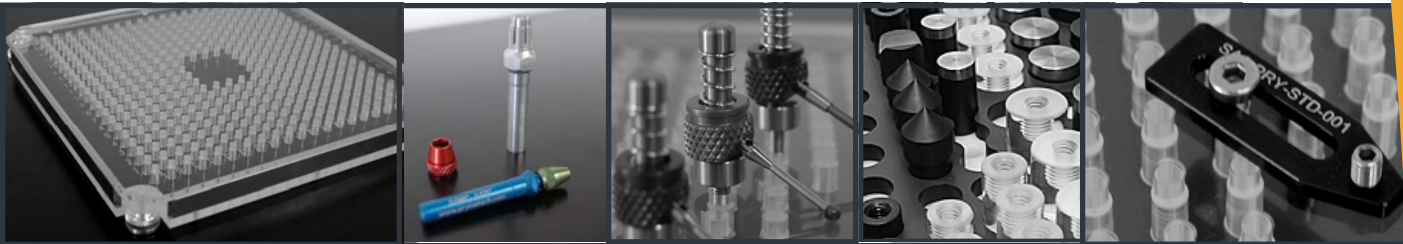


PrymeFix

fixturing solutions



PRODUCT CATALOG

PrymeFix

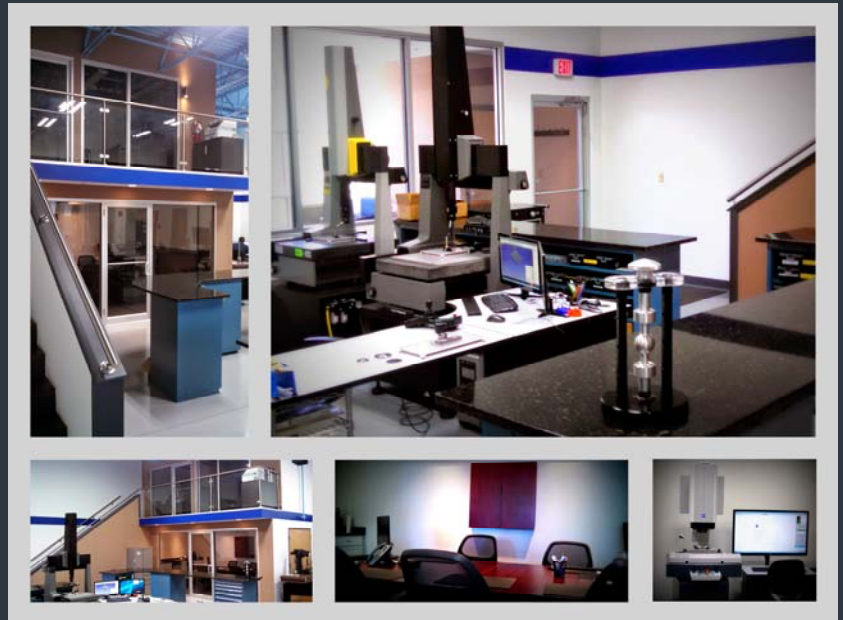
fixturing solutions

ABOUT US

PrymeFix is the fixturing line created by PrymeTech, a leading manufacturer of CNC machined components and sophisticated metrology fixturing solutions.

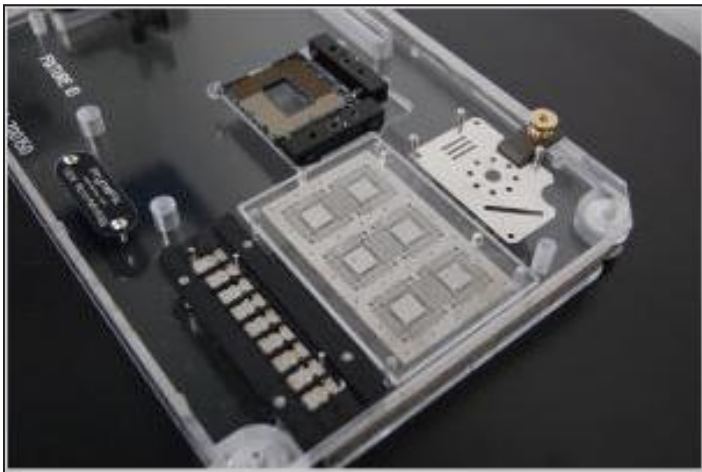
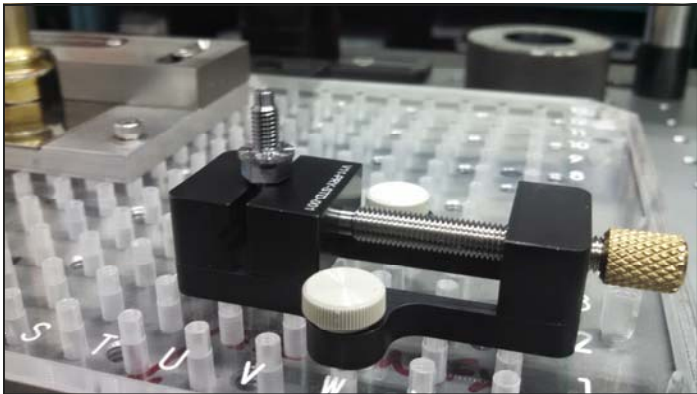


PrymeTech offers an extended machine shop without the headaches of overhead and maintenance. Our experienced staff can take a product from concept to creation. We understand what it takes to design, manufacture and inspect product. We combine innovative design solutions with a state of the art machining technologies to provide our customers with high quality precision CNC machined component parts for a wide variety of industries. Established in 2006, our shop includes all of the amenities expected to be found in a modern day shop. Every tool and machine has been strategically placed to make our facility as efficient as possible. Our shop stays highly organized based on industry concepts like Khan ban and 5-S. Our staff includes experienced machinists as well as highly educated engineers. Working together as a team, we have fully integrated proven machining techniques with state of the art technology. Computer Aided Design (CAD) and Computer Aided Machining (CAM) is utilized on a daily basis to ensure product accuracy. At PrymeTech, we expect the best from our employees. Our customers see the difference.



For more details and a complete product listing, check out the PrymeFix website!

WWW.PRYMEFIX.COM



INSERTS 4

CORNERS 18

FIXTURE ACCESSORIES 28

FIXTURE KITS 46

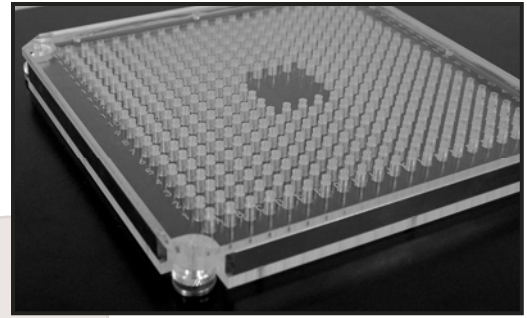
CUSTOM FIXTURES 48

EQUIPMENT SALES 54

ACRYLIC INSERTS

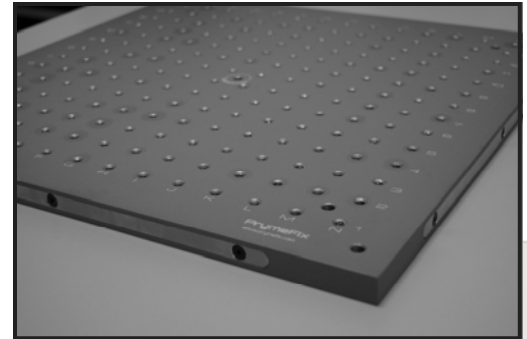
Universal Acrylic Inserts are light weight and allow back light to pass through them. Steel bars along the perimeter allow them to snap into all PrymeFix Corners. Leveling feet allow for fine adjustment on the resting surface.

These inserts come in a variety of hole pattern styles and sizes. Accompanied with a standoff kit, a user can fixture almost anything imaginable!



ALUMINUM INSERTS

Universal Aluminum Inserts can be used for fixturing with both CMMs and Vision Systems. Available in 3 sizes, each with a 1"x1" spaced complete hole pattern. A calibration sphere can easily be mounted to any of the nine differently located M8 holes on all sizes. Steel strips along the edge allow the inserts to snap into all PrymeFix corners!

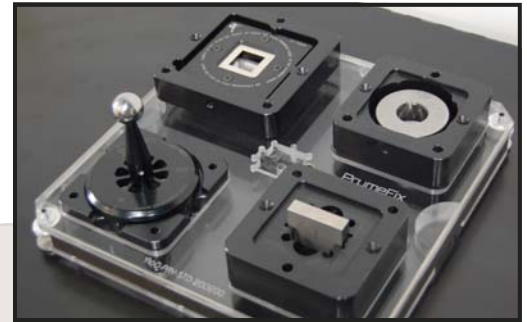


CALIBRATION INSERTS

Calibration inserts hold a variety of calibration artifacts such as calibration spheres, gage blocks, glass reticles, and laser artifacts.

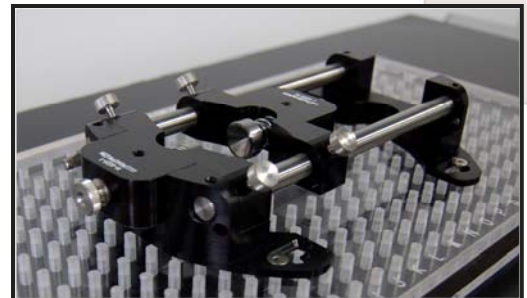
Just like regular inserts, each calibration insert has leveling feet and steel strips allowing them to magnetically snap into any PrymeFix corner.

Available in three sizes, each calibration insert uses a universal cartridge design to place any artifact in any pocket on the insert. This allows for maximum flexibility!



CENTERS INSERTS

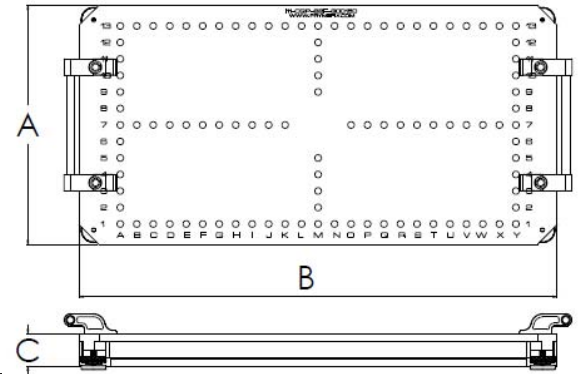
A centers insert is PrymeFix's answer to holding cylindrical parts on center and parallel to your measurement system. The fixture is adjustable in length to accommodate short or long parts. The anvils are replaceable to allow for an ideal configuration to hold a variety of parts.



ACRYLIC INSERTS

STYLE I11: Acrylic (1/4-20 THREADED)

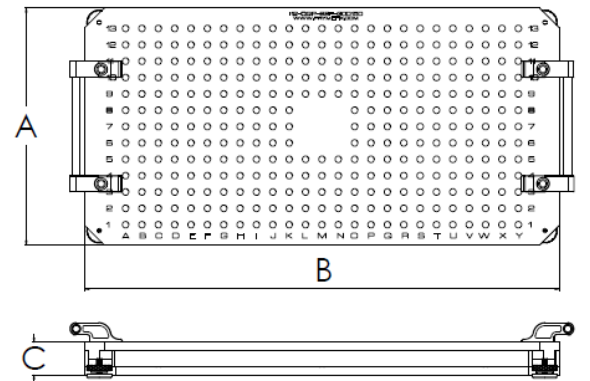
- 1/4-20 Threaded Cross Pattern Style
- Numeric Engraving Vertically
- Text Engraving Horizontally
- Leveling Feet (4x)
- Low Profile Handles (Sold Separately)



Part Number	A	B	C	Price
I11-PRY-STD-150075	5.25"	9.00"	1.00"	\$600
I11-PRY-STD-200150	7.25"	10.50"	1.00"	\$600
I11-PRY-STD-200200	9.50"	9.50"	1.00"	\$600
I11-PRY-STD-300150	7.25"	14.50"	1.00"	\$750
I11-PRY-STD-300200	9.50"	14.50"	1.00"	\$750
I11-PRY-STD-300300	14.00"	14.00"	1.00"	\$850
I11-PRY-STD-500450	20.75"	9.00"	1.00"	\$850

STYLE I12: Acrylic (1/4-20 THREADED)

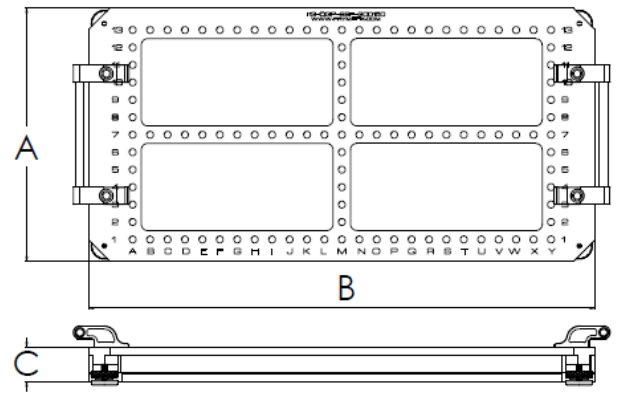
- 1/4-20 Threaded Complete Pattern Style
- Numeric Engraving Vertically
- Text Engraving Horizontally
- Leveling Feet (4x)
- Low Profile Handles (Sold Separately)



Part Number	A	B	C	Price
I12-PRY-STD-150075	5.25"	9.00"	1.00"	\$600
I12-PRY-STD-200150	7.25"	10.50"	1.00"	\$600
I12-PRY-STD-200200	9.50"	9.50"	1.00"	\$600
I12-PRY-STD-300150	7.25"	14.50"	1.00"	\$750
I12-PRY-STD-300200	9.50"	14.50"	1.00"	\$750
I12-PRY-STD-300300	14.00"	14.00"	1.00"	\$850
I12-PRY-STD-500450	20.75"	9.00"	1.00"	\$850

STYLE I13: Acrylic (1/4-20 THREADED)

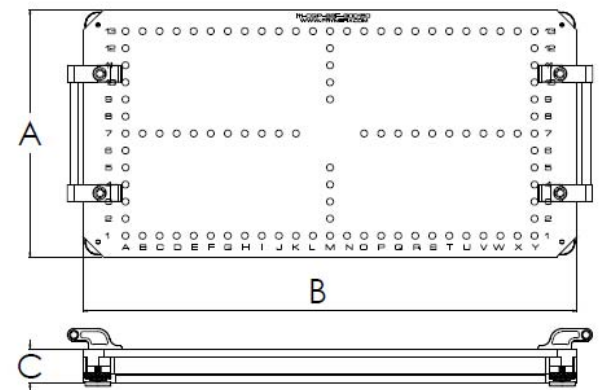
- 1/4-20 Threaded Cut-out Pattern
- Numeric Engraving Vertically
- Text Engraving Horizontally
- Leveling Feet (4x)
- Low Profile Handles (Sold Separately)



Part Number	A	B	C	Price
I11-PRY-STD-150075	5.25"	9.00"	1.00"	\$600
I11-PRY-STD-200150	7.25"	10.50"	1.00"	\$600
I11-PRY-STD-200200	9.50"	9.50"	1.00"	\$600
I11-PRY-STD-300150	7.25"	14.50"	1.00"	\$750
I11-PRT-STD-300200	9.50"	14.50"	1.00"	\$750
I11-PRY-STD-300300	14.00"	14.00"	1.00"	\$800
I11-PRY-STD-500450	20.75"	9.00"	1.00"	\$800

STYLE I21: Acrylic (M4 THREADED)

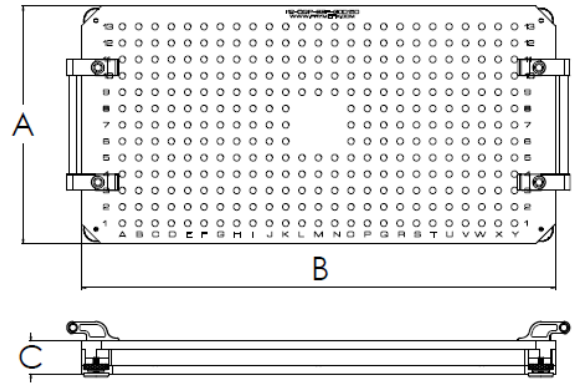
- M4 Threaded Cross Pattern Style
- Numeric Engraving Vertically
- Text Engraving Horizontally
- Leveling Feet (4x)
- Low Profile Handles (Sold Separately)



Part Number	A	B	C	Price
I21-PRY-STD-150075	5.25"	9.00"	1.00"	\$600
I21-PRY-STD-200150	7.25"	10.50"	1.00"	\$600
I21-PRY-STD-200200	9.50"	9.50"	1.00"	\$600
I21-PRY-STD-300150	7.25"	14.50"	1.00"	\$750
I21-PRY-STD-300200	9.50"	14.50"	1.00"	\$750
I21-PRY-STD-300300	14.00"	14.00"	1.00"	\$850
I21-PRY-STD-500450	20.75"	9.00"	1.00"	\$850

STYLE I22: Acrylic (M4 THREADED)

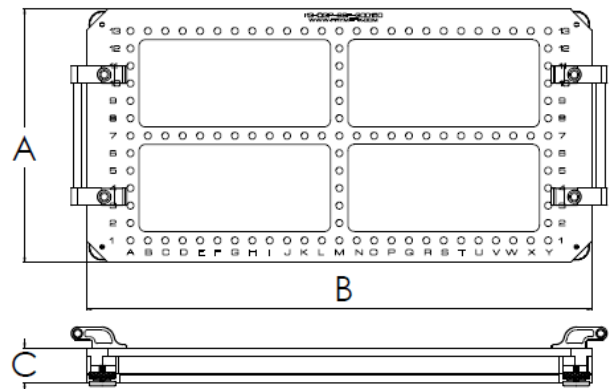
- M4 Threaded Complete Pattern Style
- Numeric Engraving Vertically
- Text Engraving Horizontally
- Leveling Feet (4x)
- Low Profile Handles (Sold Separately)



Part Number	A	B	C	Price
I22-PRY-STD-150075	5.25"	9.00"	1.00"	\$600
I22-PRY-STD-200150	7.25"	10.50"	1.00"	\$600
I22-PRY-STD-200200	9.50"	9.50"	1.00"	\$600
I22-PRY-STD-300150	7.25"	14.50"	1.00"	\$750
I22-PRY-STD-300200	9.50"	14.50"	1.00"	\$750
I22-PRY-STD-300300	14.00"	14.00"	1.00"	\$850
I22-PRY-STD-500450	20.75"	9.00"	1.00"	\$850

STYLE I23: Acrylic (M4 THREADED)

- M4 Threaded Cut-out Design
- Numeric Engraving Vertically
- Text Engraving Horizontally
- Leveling Feet (4x)
- Low Profile Handles (Sold Separately)

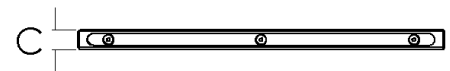
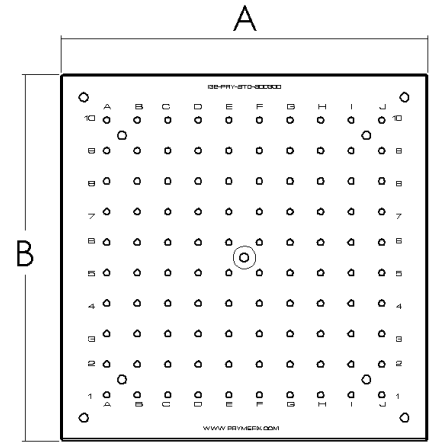


Part Number	A	B	C	Price
I23-PRY-STD-150075	5.25"	9.00"	1.00"	\$600
I23-PRY-STD-200150	7.25"	10.50"	1.00"	\$600
I23-PRY-STD-200200	9.50"	9.50"	1.00"	\$600
I23-PRY-STD-300150	7.25"	14.50"	1.00"	\$750
I23-PRY-STD-300200	9.50"	14.50"	1.00"	\$750
I23-PRY-STD-300300	14.00"	14.00"	1.00"	\$800
I23-PRY-STD-500450	20.75"	9.00"	1.00"	\$800

ALUMINUM INSERTS

STYLE I32: Aluminum (1/4-20 THREADED)

- 1/4-20 Threaded Hole Pattern (1"x 1" Spacing)
- M8 Holes For Calibration Sphere
- Numeric Engraving Vertically
- Text Engraving Horizontally
- Steel Edges Allow For Magnetic Contact

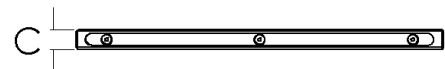
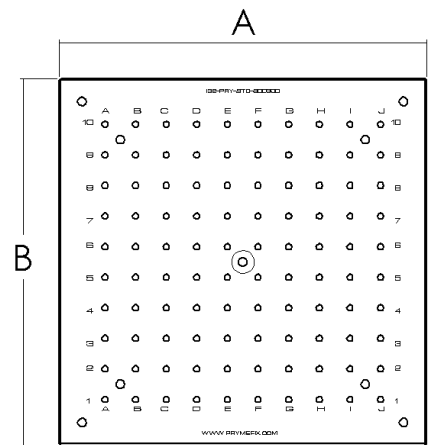


Part Number	A	B	C	Price
I32-PRY-STD-300300	12.00"	12.00"	0.625"	\$850
I32-PRY-STD-400400	16.00"	16.00"	0.625"	\$975
I32-PRY-STD-500950	20.00"	38.00"	0.625"	\$1350

Custom Sizes Available Upon Request

STYLE I33: Aluminum (M4 THREADED)

- M4 Threaded Hole Pattern (1"x 1" Spacing)
- M8 Holes For Calibration Sphere
- Numeric Engraving Vertically
- Text Engraving Horizontally
- Steel Edges Allow For Magnetic Contact



Part Number	A	B	C	Price
I33-PRY-STD-300300	12.00"	12.00"	0.625"	\$850
I33-PRY-STD-400400	16.00"	16.00"	0.625"	\$975
I33-PRY-STD-500950	20.00"	38.00"	0.625"	\$1350

Custom Sizes Available Upon Request

STYLE I32: Aluminum (M4 THREADED)

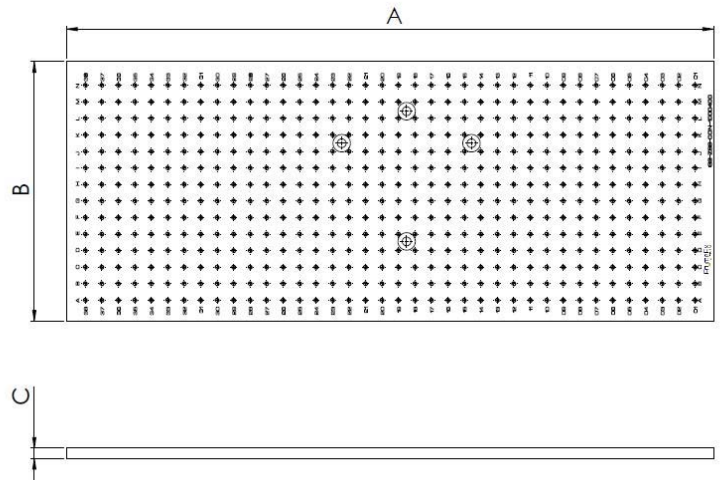
M4 Threaded Hole Pattern (1"x 1" Spacing)

M8 Holes For Calibration Sphere

Numeric Engraving Vertically

Text Engraving Horizontally

Each of These Plates Have a Specific Hole Pattern to Allow Them to be Mounted to Either
A Zeiss Accura or Contura CMM.

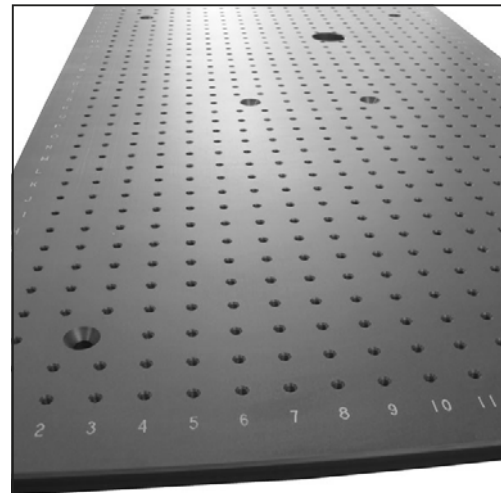


Part Number	A	B	C	Price
I32-ZSS-ACA-0900400	36"	15.688"	0.625"	\$1650
I32-ZSS-ACA-1000400	39.25"	15.688"	0.625"	\$1800
I32-ZSS-CON-0700400	27.75"	15.688"	0.625"	\$1500
I32-ZSS-CON-1000400	39.25"	15.688"	0.625"	\$1800

CUSTOM SIZE INSERTS

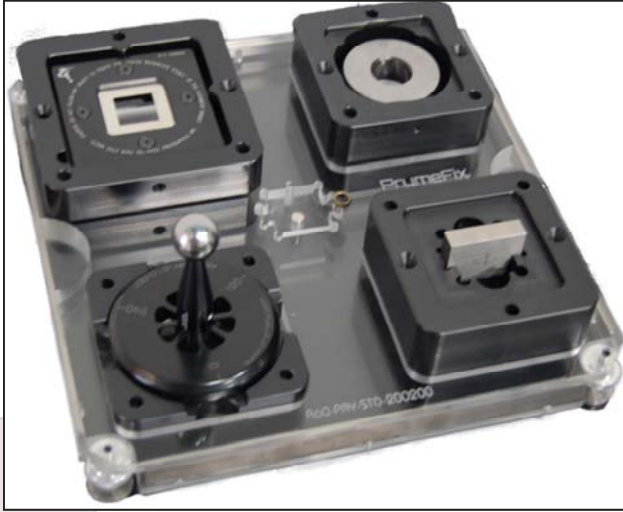
Not Finding What you Need?

Our Engineers can design a custom size solution to fit your needs. We can provide virtually any size hole pattern plate made from any material. Contact your local distributor or our office directly for details.



155 Prairie Lake Rd, Suite A & J
East Dundee, IL 60118
847.428.7122 x104

CALIBRATION INSERTS



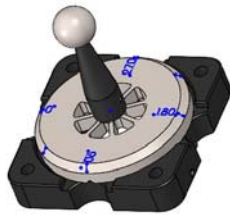
Calibration inserts hold a variety of calibration artifacts such as calibration spheres, gage blocks, ring gages, glass reticles, and laser artifacts.

Just like regular inserts, each calibration insert has leveling feet and steel strips allowing them to magnetically snap into any Prymefix corner.

Available in three sizes, each calibration insert uses a universal cartridge design to place any artifact in any pocket on the insert. This allows for maximum flexibility!



STYLE: A55



STYLE: A56



STYLE: A57



STYLE: A58



STYLE: A59

STEP 1: Select an acrylic base to hold your cartridge(s).

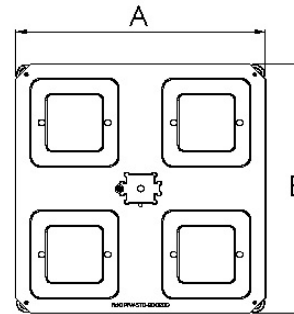
STEP 2: Select a cartridge to hold your calibration artifact.

STEP 3: Protect your artifact(s) with a cartridge cover.

CALIBRATION INSERTS: Acrylic

STYLE: A60
SIZE: 200200

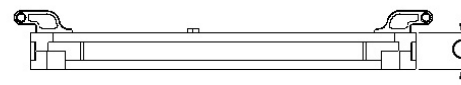
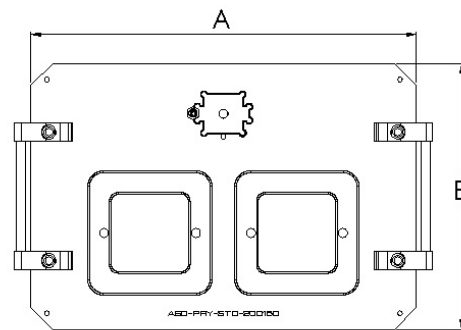
PrymeFix Calibration Insert
Holds Calibration Sphere, Reticle, Gage Block,
Ring Gage, & Laser Artifacts
Holds up to Four (4) Cartridges



Part Number	A	B	C	Price
A60: CALIBRATION INSERTS				
A60-STD-PRY-200200	9.500"	9.500"	1.000"	\$750

STYLE: A60
SIZE: 200150

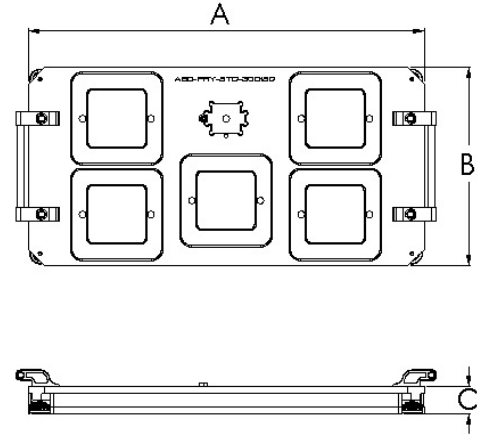
PrymeFix Calibration Insert
Holds Calibration Sphere, Reticle, Gage Block,
Ring Gage, & Laser Artifacts
Holds up to Two (2) Cartridges



Part Number	A	B	C	Price
A60: CALIBRATION INSERTS				
A60-STD-PRY-200150	10.500"	7.250"	1.000"	\$750

STYLE: A60
SIZE: 300150

PrymeFix Calibration Insert
 Holds Calibration Sphere, Reticule, Gage Block,
 Ring Gage, & Laser Artifacts
 Holds up to Five (5) Cartridges

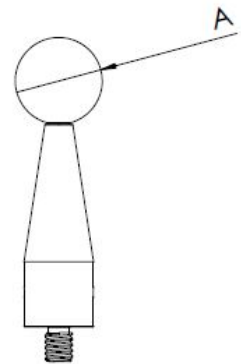


Part Number	A	B	C	Price
A60: CALIBRATION INSERTS				
A60-STD-PRY-300150	14.500"	7.250"	1.000"	\$850

CALIBRATION ARTIFACTS

Getting a calibration insert?

Check out the PrymeFix
 Calibration Kit
 on page 28.

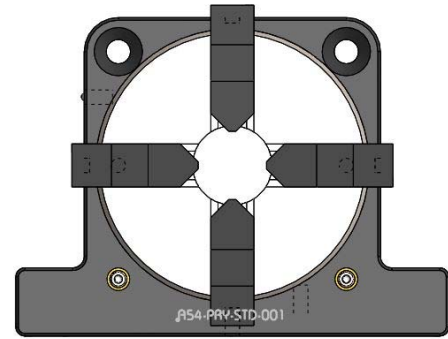


Part Number	A	Price
A56: CALIBRATION ARTIFACTS		
A56-PRY-STD-005	12mm	\$590
A56-PRY-STD-006	25mm	\$625

CALIBRATION ARTIFACT CARTRIDGES

STYLE: A54 Rotary Chuck

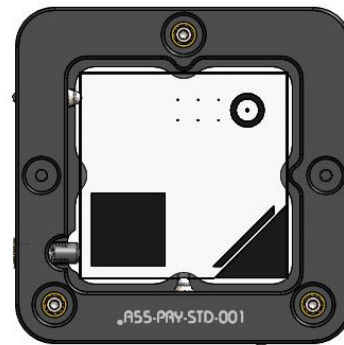
PrymeFix Rotary Chuck Cartridge
 Holds Rotary Chuck
 Magnetically clicks into any PrymeFix Calibration Insert
 Can be mounted to any PrymeFix Threaded Insert
 Rotary Chuck Included



Part Number	Height	Width	Depth	Price
A55-PRY-STD-001: RETICLE CARTRIDGE				
A55-PRY-STD-001	3.25"	3.25"	1.000"	\$225

STYLE: A55 RETICLE

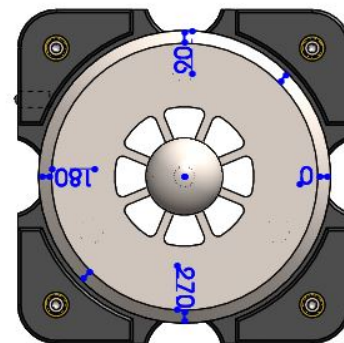
PrymeFix Recticle Cartridge
 Holds Calibration Reticle
 (Reticle Sold Separately)



Part Number	Height	Width	Depth	Price
A55-PRY-STD-001: RETICLE CARTRIDGE				
A55-PRY-STD-001	3.25"	3.25"	1.000"	\$225

STYLE: A56 Touch Probe

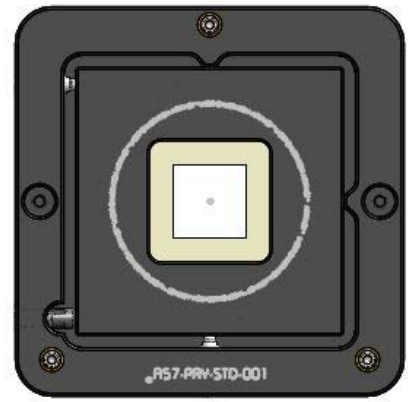
PrymeFix Touch Probe Cartridge
 Holds PrymeFix Calibrated Sphere
 (Sphere & Base Sold Separately)



Part Number	Height	Width	Depth	Price
A56-PRY-STD-003: TOUCH PROBE CARTRIDGE				
A56-PRY-STD-004	3.25"	3.25"	0.625"	\$200

STYLE: A57
Laser Artifact

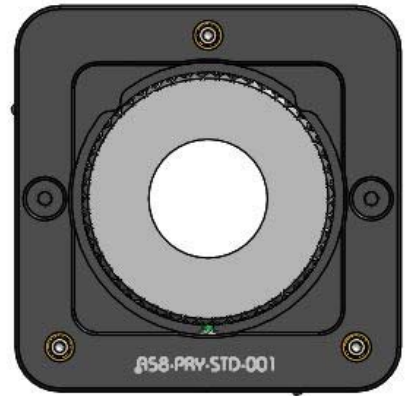
PrymeFix Laser Artifact Cartridge
 Holds Laser Artifact
 (Laser Artifact Sold Separately)



Part Number	Height	Width	Depth	Price
A57-PRY-STD-001: LASER ARTIFACT CARTRIDGE				
A57-PRY-STD-001	4.00"	4.00"	1.250"	\$200

STYLE: A58
Ring Gage

PrymeFix Ring Gage Cartridge
 Holds Ring Gage Artifact
 (Ring Gage Sold Separately)



Part Number	Height	Width	Depth	Price
A58-PRY-STD-001: RING GAGE CARTRIDGE				
A58-PRY-STD-001	3.25"	3.25"	1.375"	\$200

STYLE: A59
Gage Block

PrymeFix Gage Block Cartridge
 Holds Gage Block Artifact
 (Gage Block Sold Separately)



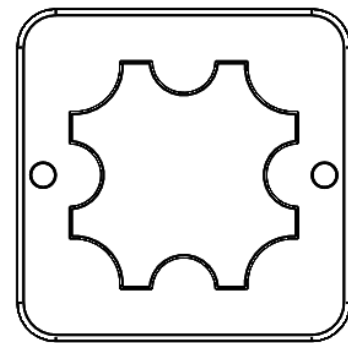
Part Number	Height	Width	Depth	Price
A59-PRY-STD-001: GAGE BLOCK CARTRIDGE				
A59-PRY-STD-001	3.25"	3.25"	1.250"	\$200

CALIBRATION INSERTS: Cartridge Covers



These covers magnetically mount to your cartridge from both the top and/or the bottom. Protect your artifacts when they are not in use.

Highly recommended for the glass reticle and laser artifacts!



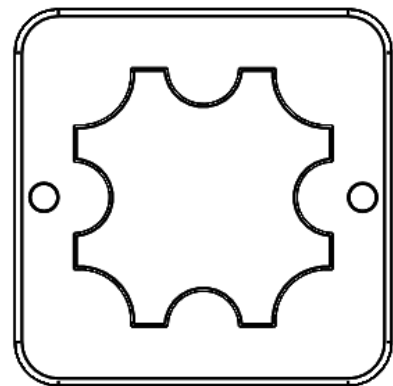
STANDARD CARTRIDGE COVER

PrymeFix Standard Cartridge Cover
Magnetically Snaps to Top or Bottom

Part Number	Height	Width	Depth	Price
A55-PRY-STD-002: CARTRIDGE COVER				
A55-PRY-STD-002	3.25"	3.25"	0.25"	\$35

LASER CARTRIDGE COVER

PrymeFix Laser Cartridge Cover
Magnetically Snaps to Top or Bottom

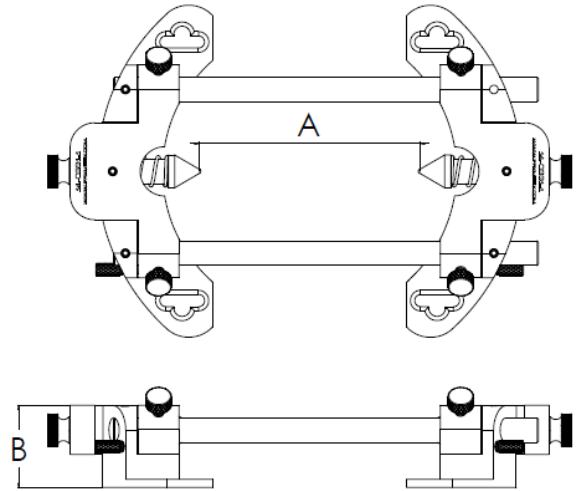


Part Number	Height	Width	Depth	Price
A57-PRY-STD-002: LASER CARTRIDGE COVER				
A57-PRY-STD-002	4.00"	4.00"	0.25"	\$40

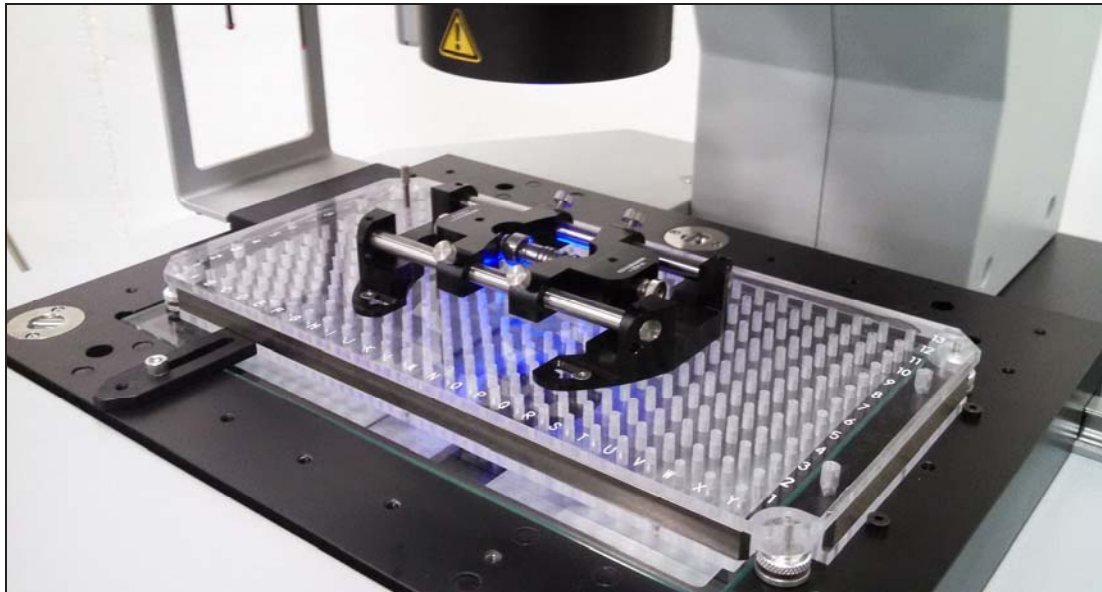
CENTERS INSERT

STYLE : I42

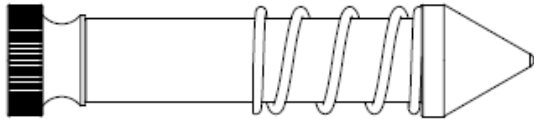
Micro Centers Fixture Assembly
Adjustable Centers Length (A Dimension)
Mounts to any PrymeFix IXX Insert



Part Number	A	B	Price
I42: CENTERS INSERT			
I42-PRY-STD-001	0.00" - 3.00"	1.255"	\$850

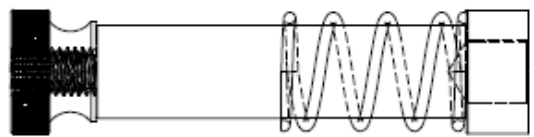


Anvils



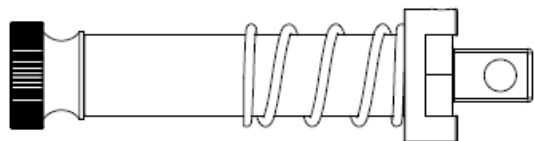
STYLE : 002

Standard Cone, 2 Included with I42-PRY-STD-001
Price: \$35 Each



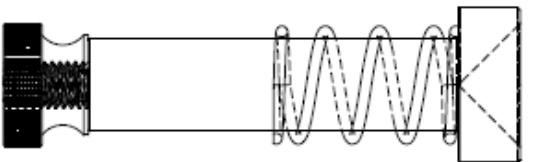
STYLE : 007

Flat Face w/Magnetic Insert
Price: \$40 Each



STYLE : 008

1/4" Square Drive
Price: \$45 Each



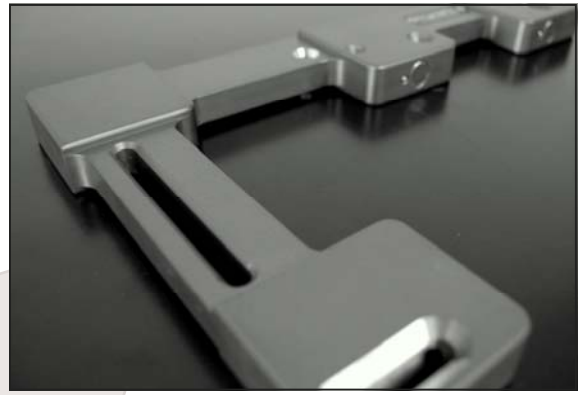
STYLE : 009

Inverted Conical Face
Price: \$35 Each

Part Number	Description	Included	Price
I41: CENTERS ANVILS			
I41-PRY-STD-KIT	Anvil Kit for I41 Centers Insert	Qty 1 of Styles 002, 007, 008 & 009	\$150

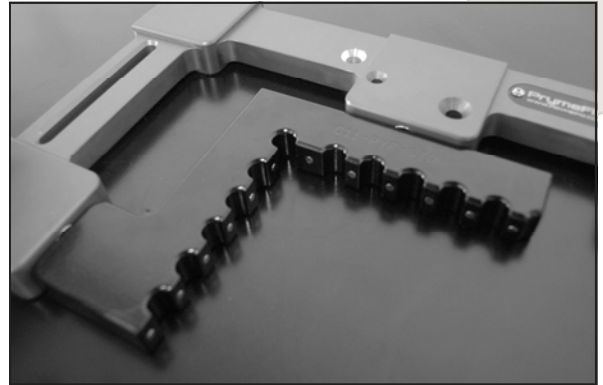
CORNER NESTS

Magnetic Corner Nests create a repeatable positioning system on your measurement device. They mount directly to your measurement system stage. Three (3) fine adjust ball nose set screws allow for exact positioning. Designed to perfectly hold a PrymeFix Insert.



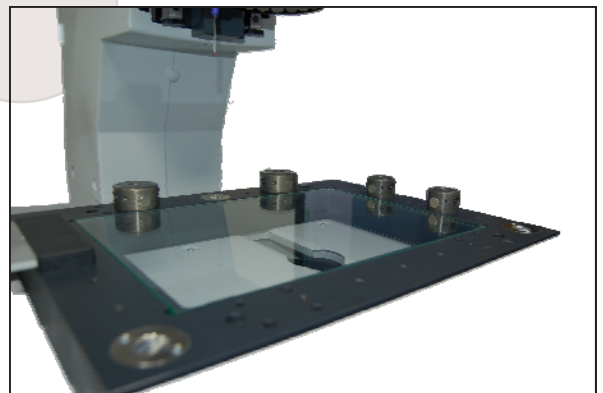
CORNER INSERTS

Corner Inserts snap into any PrymeFix Corner Nest. Just like the Nest, Corner Inserts are magnetic and snap to any PrymeFix Insert plate. Corner Inserts are designed to allow an object to be visible inside the field of view for vision systems, but can be used as an accessory on any measurement system.



UNIVERSAL CORNER NESTS

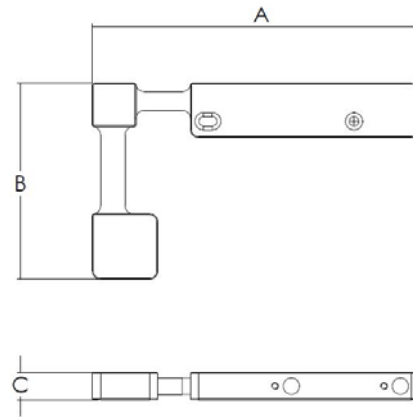
The Universal Corner Nest is an alternative solution to PrymeFix's traditional Corner Nest and Insert Solution. By allowing the Corner Puck to slide along a Guide Rail, this solution allows for custom spacing based on a specific machine stage layout. This results in a virtually unlimited amount of solutions and can be used on nearly any system.



CORNER NESTS

STYLE N11 SIZE: 150075

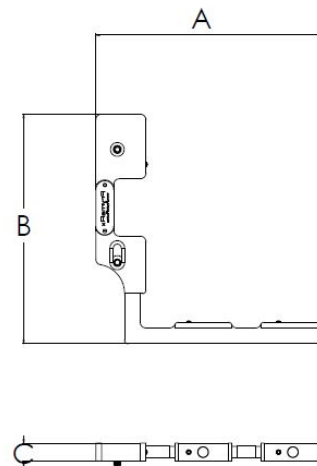
3pt Ball Nose Contact Pts for Rotation Adjustment
Magnetic Hold
Mounts Directly to Measurement System



Part Number	A	B	C	Price
N11: CORNER NESTS				
N11-PRY-STD-200200	7.50"	4.50"	0.625"	\$600

STYLE N11 SIZE: 200200

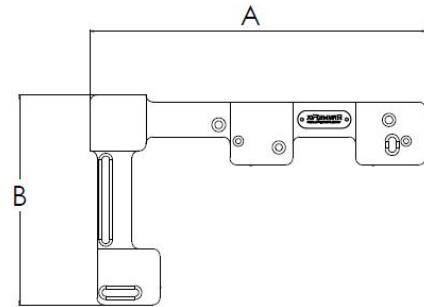
3pt Ball Nose Contact Pts for Rotation Adjustment
Magnetic Hold
Mounts Directly to Measurement System



Part Number	A	B	C	Price
N11: CORNER NESTS				
N11-PRY-STD-200200	8.00"	8.00"	0.625"	\$600

STYLE N11
SIZE: 300150

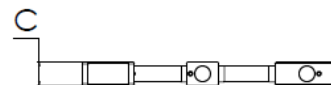
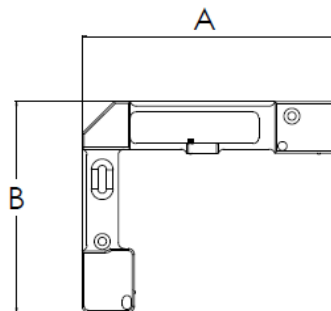
3pt Ball Nose Contact Pts for Rotation Adjustment
Magnetic Hold
Mounts Directly to Measurement System



Part Number	A	B	C	Price
N11: CORNER NESTS				
N11-PRY-STD-300150	12.00"	7.50"	0.750"	\$600

STYLE N11
SIZE: 300300

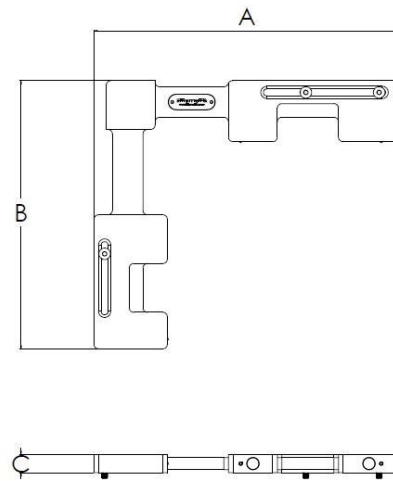
3pt Ball Nose Contact Pts for Rotation Adjustment
Magnetic Hold
Mounts Directly to Measurement System



Part Number	A	B	C	Price
N11: CORNER NESTS				
N11-PRY-STD-300300	8.00"	6.625"	0.750"	\$600

STYLE N11 SIZE: 500450

3pt Ball Nose Contact Pts for Rotation Adjustment
Magnetic Hold
Mounts Directly to Measurement System

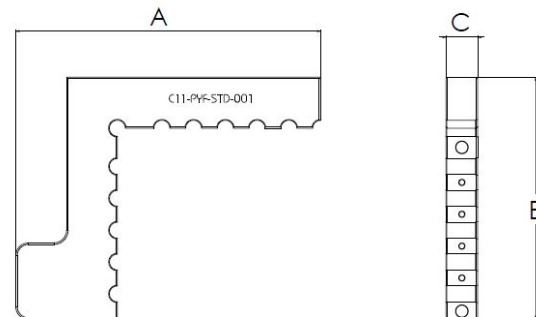


Part Number	A	B	C	Price
N11: CORNER NESTS				
N11-PRY-STD-500450	12.50"	11.00"	0.750"	\$675

CORNER INSERTS

STYLE C11 (SMALL)

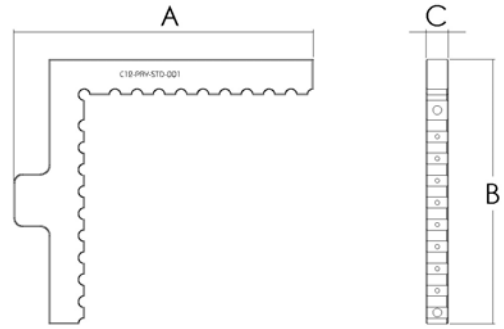
Magnetic Corner Connection
Plated for Shop Environments
Fits into all PrymeFix Corner Nests (Style N11)



Part Number	A	B	C	Price
C11: SMALL CORNER INSERT				
C11-PRY-STD-001	6.00"	4.75"	0.625"	\$550

STYLE C12 (MEDIUM)

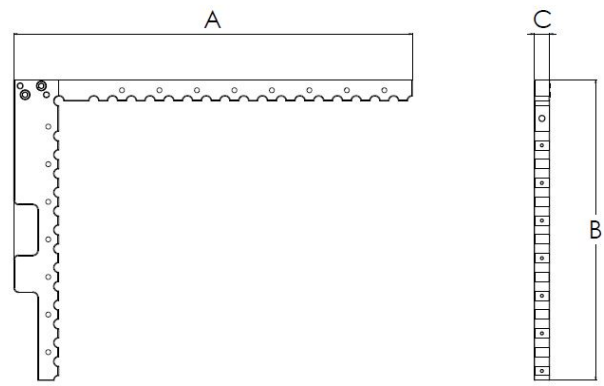
Magnetic Corner Connection
 Plated for Shop Environments
 Fits into all PrymeFix Corner Nests (Style N11)



Part Number	A	B	C	Price
C12: MEDIUM CORNER INSERT				
C12-PRY-STD-001	8.50"	7.50"	0.625"	\$650

STYLE C13 (LARGE)

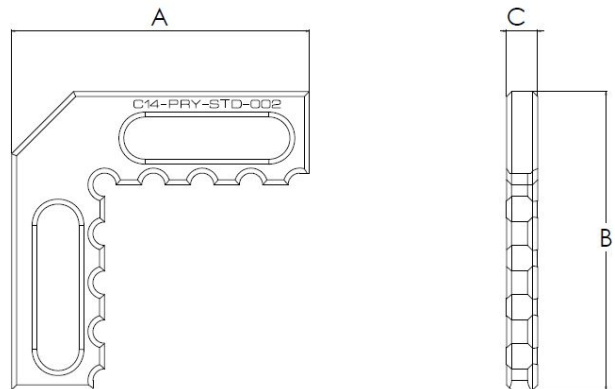
Magnetic Corner Connection
 Plated for Shop Environments
 Fits into all PrymeFix Corner Nests (Style N11)



Part Number	A	B	C	Price
C13: LARGE CORNER INSERT				
C13-PRY-STD-001	15.95"	12.00"	0.625"	\$750

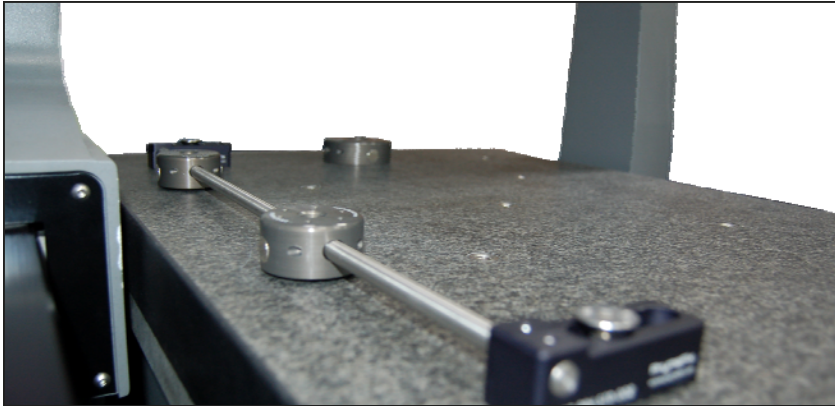
STYLE C14 (MICRO)

Plated for Shop Environments
 Flexible Design, Fits onto all PrymeFix Inserts
 Non-Magnetic, Mounts to Surface of any
 PrymeFix Insert



Part Number	A	B	C	Price
C14: MICRO CORNER INSERT				
C14-PRY-STD-001	1.20"	1.20"	0.125"	\$75

UNIVERSAL CORNER NEST



HOW IT WORKS

STEP 1:

Select The Right Size Magnetic Corner Pucks

The Magnetic Corner Pucks are used to position a PrymeFix Insert, or any other existing fixture, placed on the machine stage. A minimum of 3 Pucks will lock the X&Y-axis position of your fixture, maintaining a repeatable position every time. These Corner Pucks can mount directly to the machine if possible, or can be mounted to a rail using a combination of Universal Corner Adaptors and Guide Rails.



MAGNETIC CORNER

STEP 2: (Optional)

Select the amount and style of Universal Corner Adaptor

Universal Corner Adaptors are used to connect the Guide Rails. They mount directly to the stage and are available in two styles.

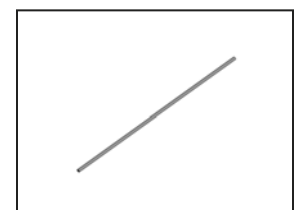


UNIVERSAL CORNER

STEP 3: (Optional)

Select the length and number of Guide Rails needed

If the Magnetic Corner Pucks are not attached to the machine stage, they can be mounted along a Guide Rail. Guide Rails are available in standard 6, 12, 24, or 36 inch lengths. Custom lengths under 36 inches are also available if requested.

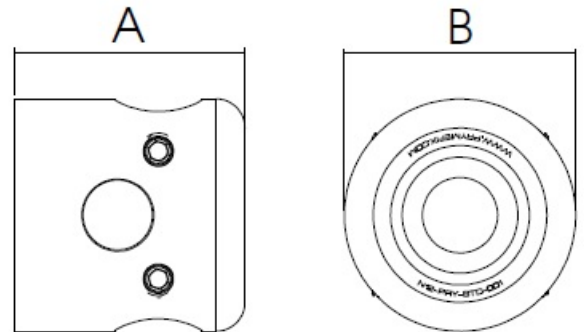


GUIDE RAILS

MAGNETIC CORNER PUCKS

STYLE N12 SIZE: MICRO

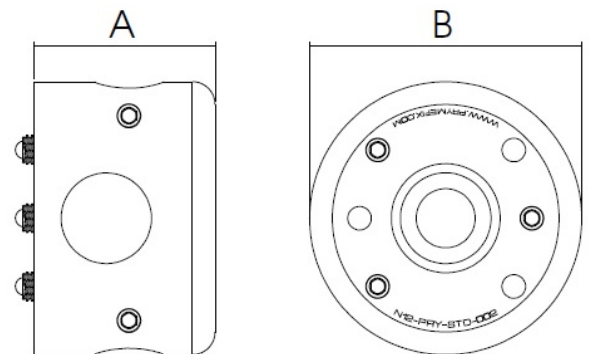
- Magnetic Hold
- Fully Adjustable Along Guide Rails
- Can Mount Directly to Measurement System
- Mounting Kit Included



Part Number	A	B	Included Screw Sizes	Price
N12: CORNER PUCKS				
N12-PRY-STD-001	1.00"	1.00"	M4, M6, M8	\$100

STYLE N12 SIZE: SMALL

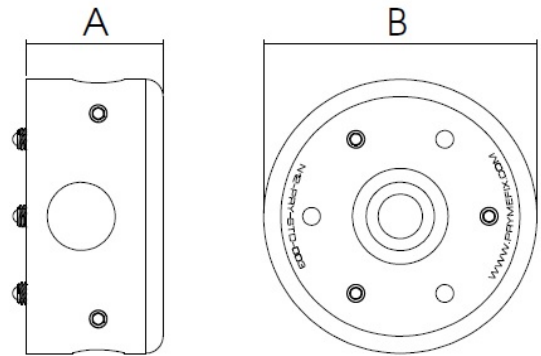
- 3 Ball Nose Leveling Screws
- Magnetic Hold
- Fully Adjustable Along Guide Rails
- Can Mount Directly to Measurement System
- Mounting Kit Included



Part Number	A	B	Included Screw Sizes	Price
N12: CORNER PUCKS				
N12-PRY-STD-002	1.00"	1.50"	M4, M6, M8	\$120

STYLE N12 SIZE: MEDIUM

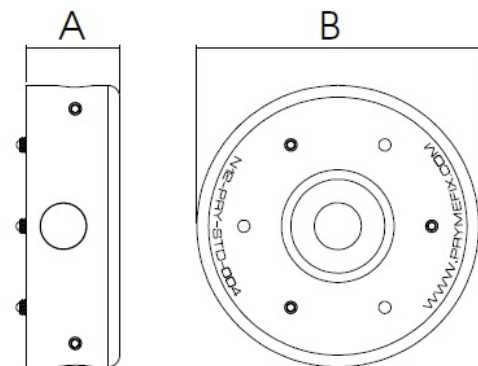
- 3 Ball Nose Leveling Screws
- Magnetic Hold
- Fully Adjustable Along Guide Rails
- Can Mount Directly to Measurement System
- Mounting Kit Included



Part Number	A	B	Included Screw Sizes	Price
N12: CORNER PUCKS				
N12-PRY-STD-003	1.00"	2.00"	M4, M6, M8	\$135

STYLE N12 SIZE: LARGE

- 3 Ball Nose Leveling Screws
- Magnetic Hold
- Fully Adjustable Along Guide Rails
- Can Mount Directly to Measurement System
- Mounting Kit Included

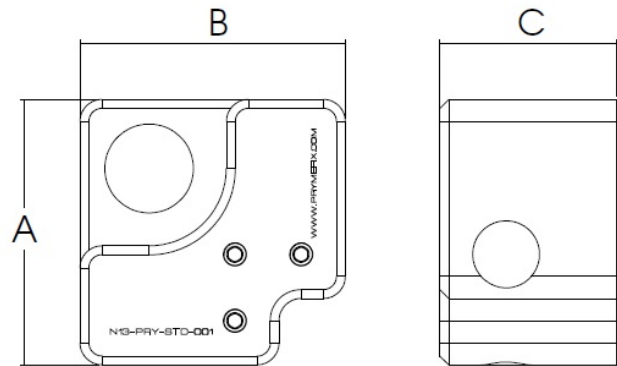


Part Number	A	B	Included Screw Sizes	Price
N12: CORNER PUCKS				
N12-PRY-STD-004	1.00"	3.00"	M8, M10, M12	\$150

UNIVERSAL CORNER ADAPTOR

STYLE N13

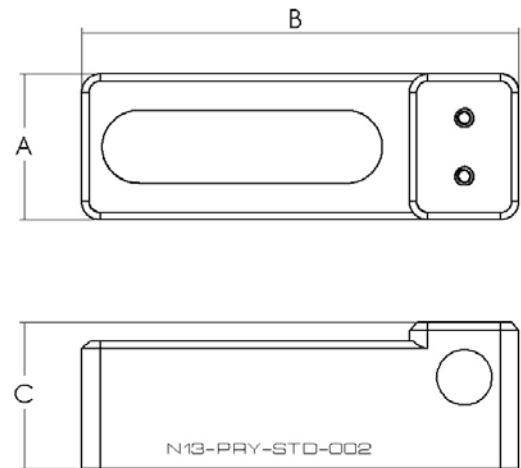
Guide Rail Locking With Set Screws
 Lightweight Aluminum
 Mounting Kit Included



Part Number	A	B	C	Included Screw Sizes	Price
N13: CORNER ADAPTOR					
N13-PRY-STD-001	1.5"	1.5"	1"	M4, M6, M8, M10, M12	\$95

STYLE N13

Guide Rail Locking With Set Screws
 Adjustable Location
 Lightweight Aluminum
 Mounting Kit Included



Part Number	A	B	C	Included Screw Sizes	Price
N13: CORNER ADAPTOR					
N13-PRY-STD-002	1"	3"	1"	M4, M6, M8, M10, M12	\$110

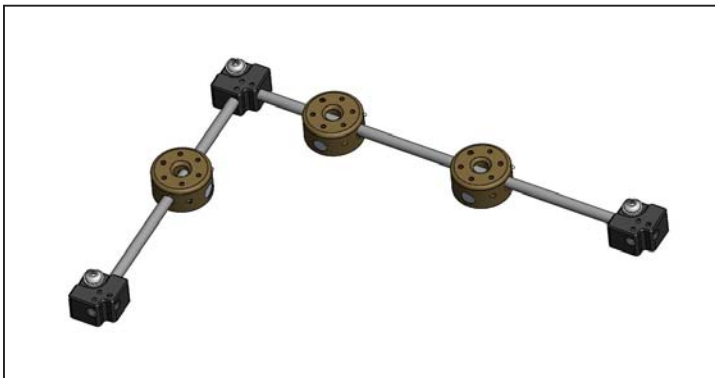
GUIDE RAILS

STYLE N13

3/8" Diameter
Stainless Steel
Custom Length Available



Part Number	A	B	Price
N13: GUIDE RAILS			
N13-375-006	0.375"	6.00"	\$6
N13-375-012	0.375"	12.00"	\$10
N13-375-024	0.375"	24.00"	\$18
N13-375-036	0.375"	36.00"	\$25
N13-375-XXX	0.375"	CUSTOM	\$40



Having Trouble?

We can help you pick out what you need to fit your machine.

Contact us for a custom quote & some diagrams.



155 Prairie Lake Rd, Suite A & J
East Dundee, IL 60118
847.428.7122 x104

CALIBRATION ARTIFACTS

Calibration artifacts allow users to verify and calibrate their measurement system. Accompany our artifacts with any of our calibration stem bases (A56) to provide a 90° or 45° mounting orientation.

All A56 bases mount kinematically into a Prymefix standard A60 Calibration Insert.



CALIBRATION KIT STYLE: A56

NIST Traceable Calibration Sphere (A56-PRY-STD-005 or A56-PRY-STD-006)

(Sphere Diameter Options: 12mm, 25mm)

Long Form Certificate of Calibration

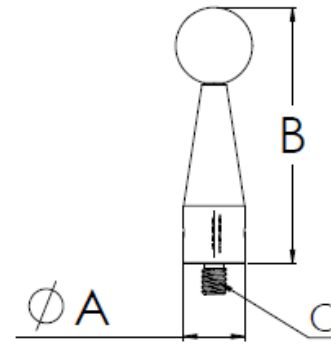
M6 Threaded Calibration Stem

90° & 45° Stem Bases (A56-PRY-STD-001 & -002)

Part Number	Price
A56: CALIBRATION ARTIFACTS	
A56-PRY-STD-003 w/ Ø12mm Calibration Sphere	\$730
A56-PRY-STD-003 w/ Ø25mm Calibration Sphere	\$760

CALIBRATED SPHERE STYLE: A56

Calibrated Sphere (12mm or 25mm)
NIST Traceable Certificate of Calibration

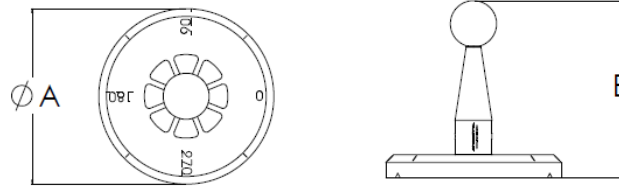


Part Number	A	B	THREAD	Price
A56: CALIBRATION ARTIFACTS				
A56-PRY-STD-005 (12mm Sphere)	2.850"	2.875"	M6	\$590
A56-PRY-STD-006 (25mm Sphere)	2.850"	2.875"	M6	\$625

*NIST Traceable Certificate Included
Carrying Case and Stem Base Sold Separately

STEM BASE 90 STYLE: A56

90° Calibration Stem Base
*Stem and Sphere NOT Included

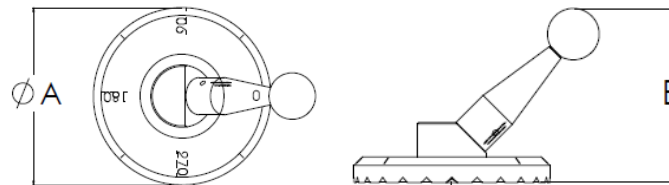


Part Number	A	B	THREAD	Price
A56: CALIBRATION ARTIFACTS				
A56-PRY-STD-001	2.850"	2.875"	M6	\$90

*Stem and Sphere NOT Included

STEM BASE 45 STYLE: A56

45° Calibration Stem Base
*Stem and Sphere NOT Included



Part Number	A	B	THREAD	Price
A56: CALIBRATION ARTIFACTS				
A56-PRY-STD-002	2.850"	2.540"	M6	\$140

*Stem and Sphere NOT Included

GAGE PIN HOLDERS

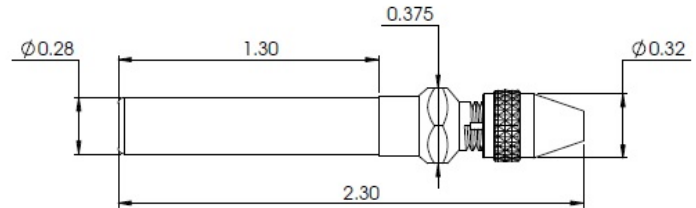


A Reusable Gage Pin Holder That Will Clamp Your Gage Pins. This 2 Piece Design Lets the Collet Spring Back for Reusability. Determine the Correct Size Gage Pin Holder Using the *Pin Holding Range* Chart Below.

Caps and Bodies Sold Separately, be Sure to Include a Cap With Your Order. They are Available in **Green** or **Red**

STYLE: G11

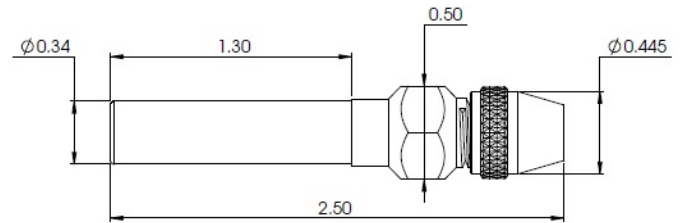
Micro Gage Pin Holder
2 Piece Aluminum Anodized Design
Adjustable Pin Holding Range



PART NUMBER	DESCRIPTION	PIN HOLDING RANGE	Price
G11: SMALL GAGE PIN HOLDER			
0100-0500-CAPG	Small Green Anodized CAP	ALL G11	\$4.50
0100-0500-CAPR	Small Red Anodized CAP	ALL G11	\$4.50
G11-PRY-STD-0100	6061 AL Red Anodized Plated - Collet Utilizes Either 0100-0500-CAPG OR 0100-0500-CAPR	0.000"-0.018"	\$14.50
G11-PRY-STD-0200	6061 AL Black Anodized Plated - Collet Utilizes Either 0100-0500-CAPG OR 0100-0500-CAPR	0.019"-0.035"	\$14.50
G11-PRY-STD-0300	6061 AL Silver Anodized Plated - Collet Utilizes Either 0100-0500-CAPG OR 0100-0500-CAPR	0.036"-0.063"	\$14.50
G11-PRY-STD-0400	6061 AL Clear Anodized Plated - Collet Utilizes Either 0100-0500-CAPG OR 0100-0500-CAPR	0.064"-0.094"	\$14.50
G11-PRY-STD-0500	6061 AL Blue Anodized Plated - Collet Utilizes Either 0100-0500-CAPG OR 0100-0500-CAPR	0.095"-0.125"	\$15.60

STYLE: G12

Large Gage Pin Holder
2 Piece Aluminum Anodized Design
Adjustable Pin Holding Range



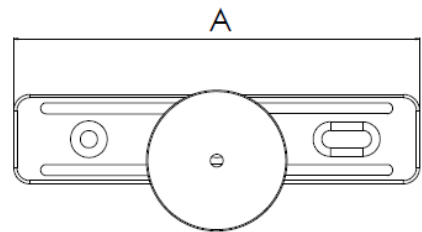
PART NUMBER	DESCRIPTION	PIN HOLDING RANGE	Price
G12: LARGE GAGE PIN HOLDER			
0600-1200-CAPG	Large Green Anodized Plated CAP	ALL G12	\$6.50
0600-1200-CAPR	Large Red Anodized Plated CAP	ALL G12	\$6.50
G12-PRY-STD-0600	6061 AL Red Anodized Plated - Collet Utilizes Either 0600-1200-CAPG OR 0600-1200-CAPR	0.126"-0.142"	\$16.00
G12-PRY-STD-0700	6061 AL Black Anodized Plated - Collet Utilizes Either 0600-1200-CAPG OR 0600-1200-CAPR	0.143"-0.156"	\$16.00
G12-PRY-STD-0800	6061 AL Silver Anodized Plated - Collet Utilizes Either 0600-1200-CAPG OR 0600-1200-CAPR	0.157"-0.172"	\$16.00
G12-PRY-STD-0900	6061 AL Clear Anodized Plated - Collet Utilizes Either 0600-1200-CAPG OR 0600-1200-CAPR	0.173"-0.188"	\$16.00
G12-PRY-STD-1000	6061 AL Gold Anodized Plated - Collet Utilizes Either 0600-1200-CAPG OR 0600-1200-CAPR	0.189"-0.204"	\$16.00
G12-PRY-STD-1100	6061 AL Green Anodized Plated - Collet Utilizes Either 0600-1200-CAPG OR 0600-1200-CAPR	0.205"-0.219"	\$16.00
G12-PRY-STD-1200	6061 AL Blue Anodized Plated - Collet Utilizes Either 0100-0500-CAPG OR 0100-0500-CAPR	0.220"-0.250"	\$16.00

KINEMATIC DOCK MOUNT



This Kinematic Dock Mount System (KDMS) Provides Flexibility to your CMM Docking Station. Quickly Remove the Docking Station and Repeatably Place it Back on this KDMS. Users will Never Have to Calibrate the Docking Station Location Again.

The K11 Universal Base Provides Several Mounting Positions on your Measurement System Stage. The Slotted Design Provides Dock Station Position Flexibility Along the Direction of the Slot.



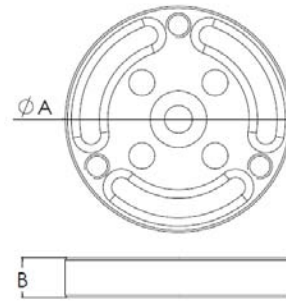
STYLE K11

3pt Kinematic Dock Mount System
 Quick Release Dock Station Solution
 Repeatably Positioning of Dock Station

Part Number	DESCRIPTION	A	B	Price
K11: KINEMATIC DOCK MOUNT				
K11-PRY-STD-001	KINEMATIC DOCK MOUNT ASSEMBLY	6.250"	0.250"	\$400

STYLE K11: MAGNETIC MOUNT BASE

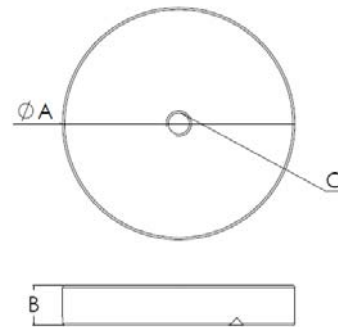
Kinematic Dock Mount Component
Magnetic, Aluminum Anodized



Part Number	DESCRIPTION	A	B	Price
K11: KINEMATIC DOCK MOUNT				
K11-PRY-STD-002		2.165"	0.375"	\$165

STYLE K11: DOCK BASE

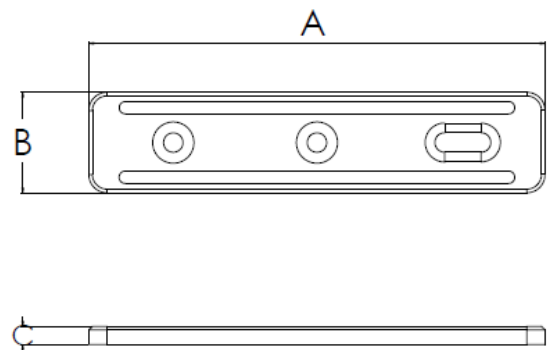
Kinematic Dock Mount Component
Steel Plated



Part Number	DESCRIPTION	A	B	C	Price
K11: KINEMATIC DOCK MOUNT					
K11-PRY-STD-003		2.165"	0.375"	M6x1.0"	\$150

STYLE K11: UNIVERSAL BASE

Kinematic Dock Mount Component
Aluminum Anodized
Flexible Positioning of Kinematic Mount Base
Mounts Directly to Measurement System



Part Number	DESCRIPTION	A	B	C	Price
K11: KINEMATIC DOCK MOUNT					
K11-PRY-STD-004		6.250"	1.375"	0.250"	\$125

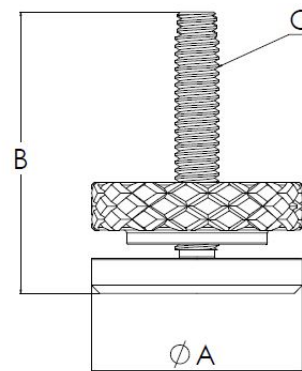
LEVELING FEET



Leveling Feet Provide Fine Adjustment in the Z-Direction. Minimize Scratching of your Surface with a Thin Counter Bore Feature on the Mating Face of These Feet.

STYLE F11: Adjustable Leveling Foot

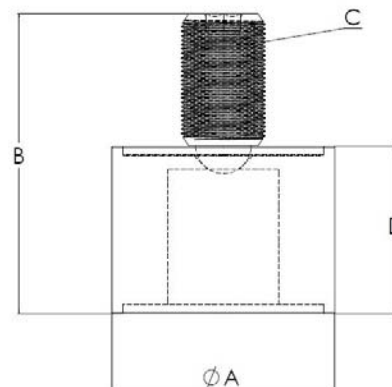
Stainless Steel w/Aluminum Locking Collar



Part Number	A	B	C	Price
F11: LEVELING FOOT				
F11-PRY-STD-001	0.75"	1.00"	M4x0.7" FINE THREAD	\$20 Ea

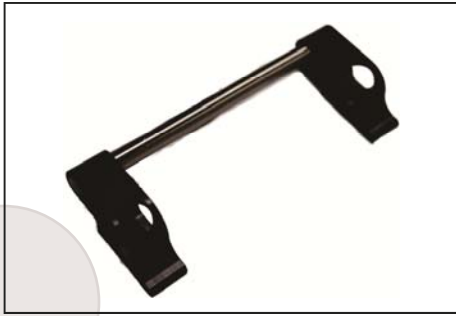
STYLE F15: Adjustable Leveling Foot

Stainless Steel w/Aluminum Collar
Magnetized Cylindrical Body
Super Fine Thread



Part Number	A	B	C	D	Price
F15: LEVELING FOOT					
F15-PRY-STD-001	0.50"	0.67"	3/16-100" FINE THREADED	0.375"	\$25 Ea

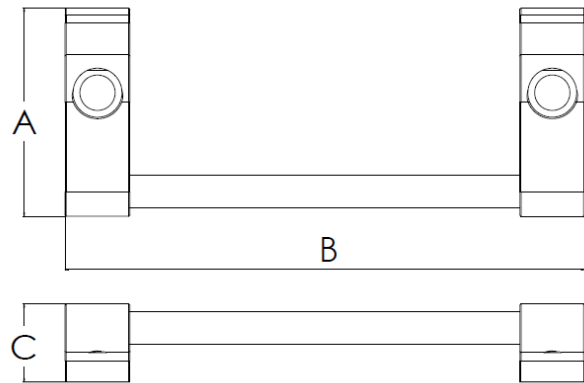
LOW PROFILE HANDLES



Mount this Handle to any PrymeFix Insert (Acrylic or Aluminum). Their Low Profile Design is Ideal for Vision Systems. The Stainless Steel Bar is Removable for an Ultimate Flexible Design.

STYLE H11:

PrymeFix Low Profile Handle
Aluminum & Stainless Steel



Part Number	A	B	C	Price
H11: LOW PROFILE HANDLES				
H11-PRY-STD-001	1.60"	4.00"	0.60"	\$35

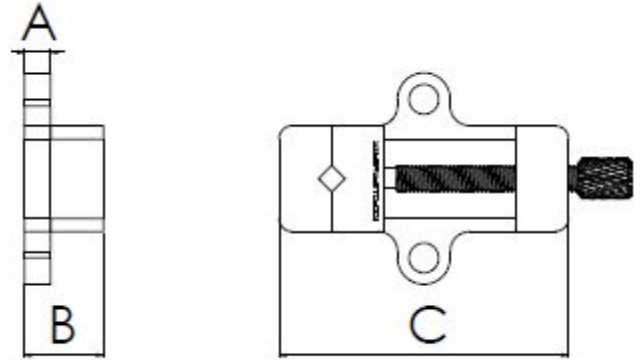
MICRO VICES



This Miniature Vice is Great for Holding Small Parts. It is Designed to Allow Back Light to Pass Through, Perfect for any Vision System. Mount it to Any PrymeFix Corner Insert for Repeatable Setups.

STYLE V11

Aluminum Plated Body
Stainless Steel Fine Threaded Lead Screw

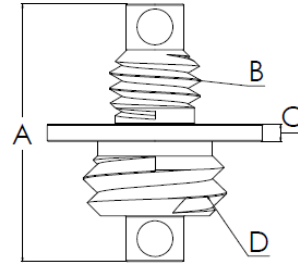


Part Number	A	B	C	Price
V11: MICRO VICES				
V11-PRY-STD-001	0.250"	0.750"	2.750"	\$115

SET SCREWS & CONVERTERS

STYLE SO5:

M4 to 1/4-20 Converter Screw



Part Number	A	B	C	D	Price
SO5: CONVERTER					
SO5-PRY-STD-001	0.450"	M4x0.7"	0.300"	1/4-20"	\$6.5 Ea

SET SCREW:

Threaded Set Screws



Part Number	Length	Thread	Quantity	Price
SET SCREW				
	16.00mm	M4	50	\$20
	8.00mm	M4	50	\$18
	0.500"	1/4-20	100	\$20

THUMB SCREW:

Standard Thumb Screws



Part Number	Head Dia	Length	Thread	Quantity	Price
THUMB SCREW					
	12.75mm	12.00mm	M4	10	\$10
	7.00mm	10.00mm	M4	10	\$10

SLIDE ARMS

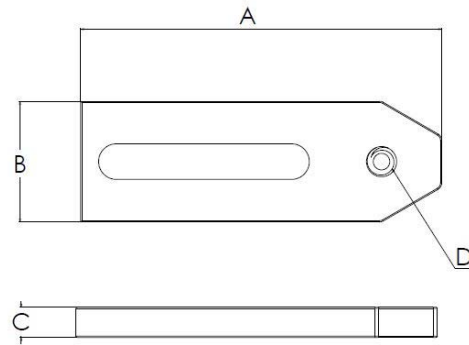


Commonly Used as a Clamp, Mount any Standoff to a Slide Arm to Provide Positioning Adjustment in all Directions.

Mount 2 Slide Arms Perpendicular to Each Other to Create a Make Shift Corner on any PrymeFix Insert.

STYLE SA1 (Large)

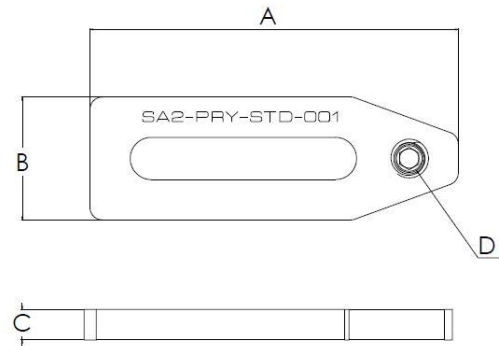
Aluminum Plated w/Stainless Steel Set Screw



Part Number	A	B	C	D	Price
SA1: SLIDING ARM					
SA1-PRY-STD-001	3.00"	1.00"	0.250"	1/4-20"	\$38

STYLE SA2 (Small)

Aluminum Plated w/Stainless Steel Set Screw



Part Number	A	B	C	D	Price
SA2: SLIDING ARM					
SA2-PRY-STD-001	1.50"	0.50"	0.1875"	M4x0.7"	\$30

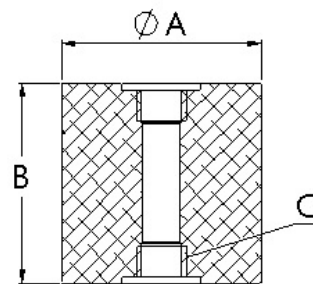
STAND-OFFS



Stand-Offs Are Available in Many Different Sizes and Styles. They can be used on any Prymefix Insert to Elevate and Locate Parts. With the Right Combination of Standoffs, Nearly Any Part Can be Held.

STYLE SO1: 1/4-20

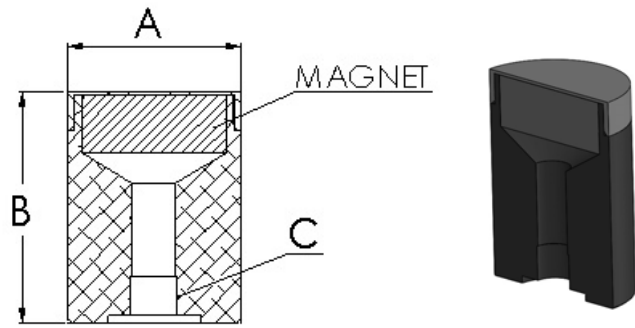
Elevate and Locate Parts
Stackable with all Standoff Styles



Part Number	A	B	C	MATERIAL	Price
SO1: STAND-OFFS					
SO1-500-500-001	0.50"	0.50"	1/4-20"	ALUMINUM	\$11
SO1-500-1000-001	0.50"	1.00"	1/4-20"	ALUMINUM	\$11
SO1-750-500-001	0.75"	0.50"	1/4-20"	ALUMINUM	\$10
SO1-750-1000-001	0.75"	1.00"	1/4-20"	ALUMINUM	\$10
SO1-1000-1000-001	1.00"	1.00"	1/4-20"	ALUMINUM	\$15
SO1-1000-2000-001	1.00"	2.00"	1/4-20"	ALUMINUM	\$18
SO1-500-500-002	0.50"	0.50"	1/4-20"	ACRYLIC	\$11
SO1-500-1000-002	0.50"	1.00"	1/4-20"	ACRYLIC	\$11
SO1-750-500-002	0.75"	0.50"	1/4-20"	ACRYLIC	\$10
SO1-750-1000-002	0.75"	1.00"	1/4-20"	ACRYLIC	\$10

STYLE SM1: 1/4-20

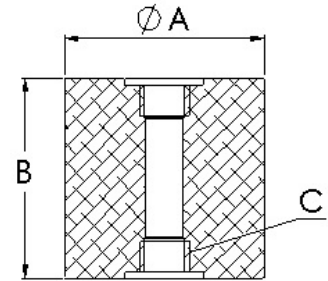
Elevate and Locate Parts
Stackable with all Standoff Styles
Magnetic Top Sticks to Steel Parts



Part Number	A	B	C	MATERIAL	Price
SO1: STAND-OFFS					
SM1-500-500-001	0.50"	0.50"	1/4-20"	ALUMINUM	\$28
SM1-500-1000-001	0.50"	1.00"	1/4-20"	ALUMINUM	\$30
SM1-750-500-001	0.75"	0.50"	1/4-20"	ALUMINUM	\$32
SM1-750-1000-001	0.75"	1.00"	1/4-20"	ALUMINUM	\$35

STYLE SO2: M4

Elevate and Locate Parts
Stackable with all Standoff Styles

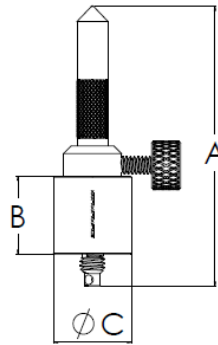


Part Number	A	B	C	MATERIAL	Price
SO2: STAND-OFFS					
SO2-188-375-001	0.188"	0.375"	M4x0.7"	ALUMINUM	\$9
SO2-188-500-001	0.188"	0.500"	M4x0.7"	ALUMINUM	\$9
SO2-250-375-001	0.250"	0.375"	M4x0.7"	ALUMINUM	\$9
SO2-250-500-001	0.250"	0.500"	M4x0.7"	ALUMINUM	\$9
SO2-375-375-001	0.375"	0.375"	M4x0.7"	ALUMINUM	\$10
SO2-375-500-001	0.375"	0.500"	M4x0.7"	ALUMINUM	\$10

SPECIAL STANDOFFS

STYLE SC2: ADJUSTABLE CONE STANDOFF

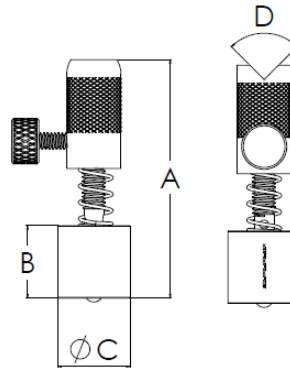
Elevate and Locate Parts
Stackable with all Standoff Styles
Fine Adjustable Z-Height (A Dimension)



Part Number	A	B	C	MATERIAL	Price
SC2: STAND-OFFS					
SC2-PRY-STD-001	1.6 - 2.0"	0.500"	0.500"	ALUMINUM	\$25

STYLE SV2: ADJUSTABLE V-STANDOFF

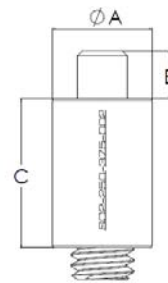
Hold Cylindrical Parts
Stackable with all Standoff Styles
Fine Adjustable Z-Height (A Dimension)



Part Number	A	B	C	D	MATERIAL	Price
SV2: STAND-OFFS						
SV2-PRY-STD-001	1.6 - 2.0"	0.500"	0.500	90°	ALUMINUM	\$25

STYLE -002: PIN STANDOFF

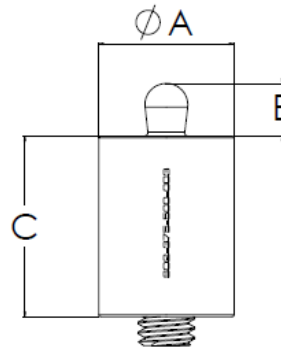
Elevate and Locate Parts Against a Pin
Stackable with all Standoff Styles



Part Number	A	B	C	MATERIAL	Price
002: STAND-OFFS					
SO2-250-375-002	0.250"	0.120"	0.375"	ALUMINUM	\$12
SO2-375-375-002	0.375"	0.120	0.375"	ALUMINUM	\$15

STYLE -003: PLUNGER STANDOFF

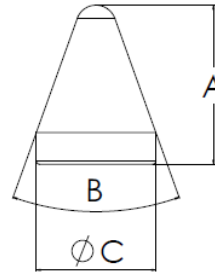
Elevate and Locate Parts
 Plunger Applies Push Force to Parts
 Stackable with all Standoff Styles



Part Number	A	B	C	MATERIAL	Price
003: STAND-OFFS					
SO2-375-500-003	0.375	0.146"	0.500"	ALUMINUM	\$20

STYLE SP2: CONED STANDOFF

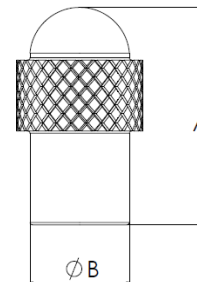
Create Coned Surface on Top of Standoffs
 Non-Marring Material
 Stackable with all Standoff Styles



Part Number	A	B	C	MATERIAL	Price
SP2: STAND-OFFS					
SP2-250-500-001	0.500"	40°	0.375"	DELTRIN	\$8

STYLE SP2: SPHERICAL STANDOFF

Create Spherical Surface on Top of Standoffs
 Stackable with all Standoff Styles

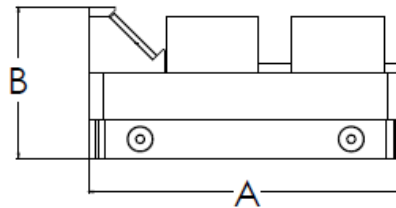
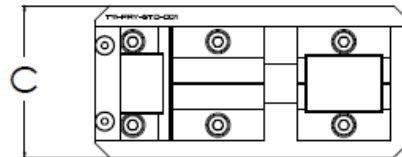


Part Number	A	B	MATERIAL	Price
SP2: STAND-OFFS				
SP2-375-475-001	0.475"	0.217"	ALUMINUM	\$10

TUBE FIXTURES



This fixture was developed to hold miniature flexible tubing most commonly found in the medical industry. The black matte finish has been developed to reduce reflection from top or ring light when illuminating the part. A 45° first surface mirror allows a camera to take measurements inside the tube. The v-blocks are adjustable to allow the user to get their parts closer to the mirror if necessary or to reduce the gap between the two v-blocks.

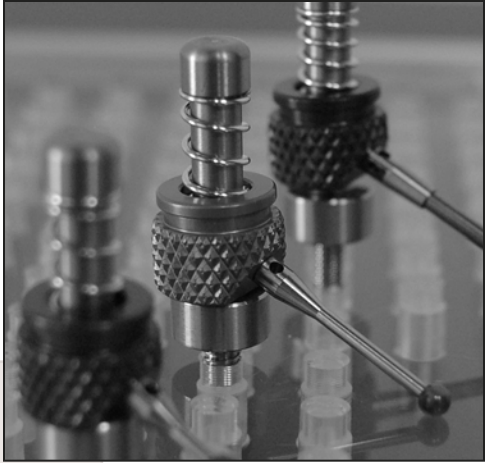


STYLE: T11

- Matte Black Finish
- Adjustable V-block Positioning
- 45 Degree First Surface Mirror

Part Number	A	B	C	Price
T11: TUBE FIXTURES				
T11-PRY-STD-001	4.100"	1.990"	2.000"	\$660

TOUCH CLAMPS

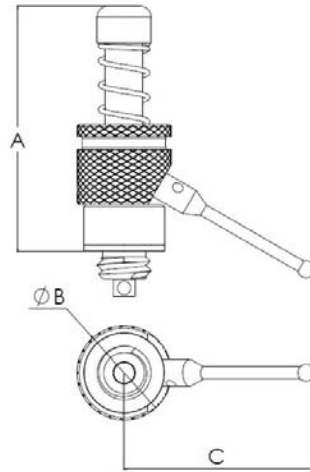


These Touch Clamps are Designed to Hold any M2 Threaded Stylus. Two M2 Threaded Holes Provide Optional Clamping Configurations (Refer to Images 1 & 2).

Choose the Clamping Force Needed to Hold a Wide Range of Parts.

STYLE TC2

Stainless Steel Components
M2 Threaded, Accepts All M2 Styli
Mount to any M4 or 1/4-20 Insert
(Converter Set Screw Included)



Part Number	A	B	C	SPRING FORCE	Price
TC2: TOUCH CLAMPS					
TC2-PRY-STD-001	1.143"	0.438"	0.885"	LIGHT FORCE	\$49
TC2-PRY-STD-002	1.143"	0.438"	0.885"	MEDIUM FORCE	\$49
TC2-PRY-STD-003	1.143"	0.438"	0.885"	EXTENDED FORCE	\$49

IMAGE 1: OPTIONAL CONFIGURATION

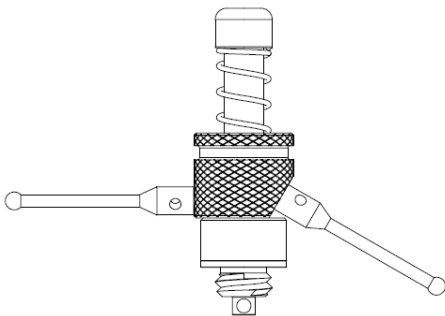
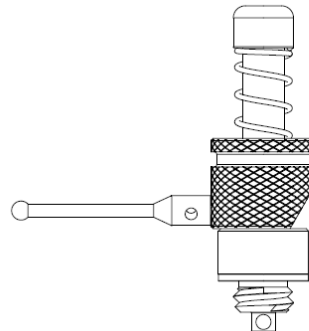
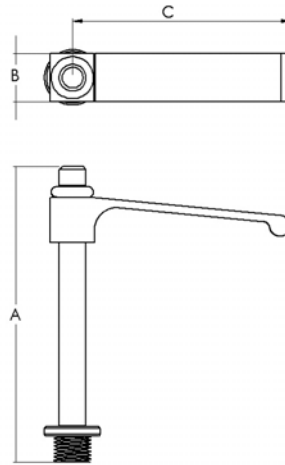


IMAGE 2: OPTIONAL CONFIGURATION



STYLE TC1

Aluminum Anodized Components
Mount to any 1/4-20 Insert

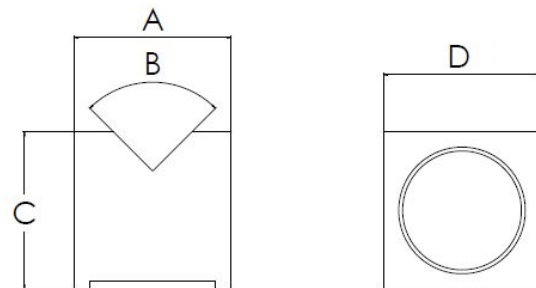


Part Number	A	B	C	SPRING FORCE	Price
TC2: TOUCH CLAMPS					
TC1-PRY-STD-001	2.000"	0.325"	1.471"	Flexible	\$49

V-BLOCKS



These Stainless Steel V-Blocks Feature a Magnetic V-surface For a Secure Hold of Metal Parts.



STYLE V41: (MAGNETIC)

Magnetic V-surface
Stainless Steel (No Rust)

Part Number	A	B	C	D	Price
V41: V-BLOCKS					
V41-PRY-STD-001	1.00"	90°	1.00"	1.00"	\$99

FIXTURING KITS

Fixture Kits include an assortment of components to create your own custom holding system on any PrymeFix insert.

Kit components mount to any 1/4-20 or M4 threaded inserts with PrymeFix Converter Screws (included).

Available in three (3) sizes for both Multi-Sensor and CMM systems.

All kits contain a locking wrench, M2 Allen wrench, 1/8" hex Allen wrench, and an organizer box.

FIXTURING KIT COMPONENTS

While not limited to these uses, below is a list of the most common ways that certain components can be utilized.

Resting Cone: Perfect for holding parts with a flat surface to rest on.

Stand-Off: The most diverse part in any kit! These can be used as a surface to rest a part on, to elevate a part higher off of a fixture, or as part of a 3-point-contact.

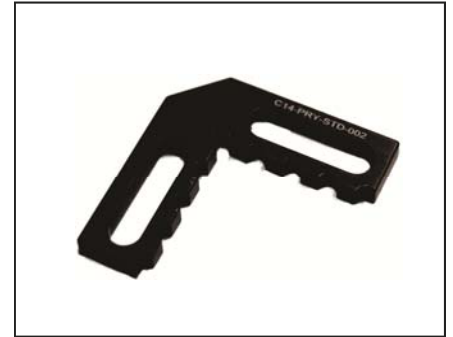
Micro Corner: Provides a repeatable and straight location to easily place small parts.

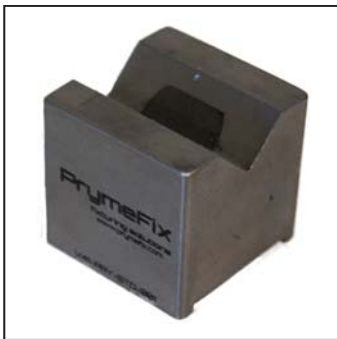
Touch Clamps: Hold parts in place to ensure there is no movement during measurement.

Magnetic V-Block: Perfect for holding round or cylindrical parts. The magnetic connection helps secure the part.

For more details and a complete product listing, check out the PrymeFix website!

WWW.PRYMEFIX.COM





PART SPECIFIC

Part specific fixtures can be designed for complex parts or assemblies that regular fixturing kits cannot hold.

Provide PrymeTech with a CAD model and sample part and we can design custom fixturing specific to your part. Our design engineers and machine operators work together to make sure all fixtures hold parts as intended before delivery.

All PrymeTech engineers have experience programming CMMs and Vision Systems and know what is necessary to easily and reliably measure a part. Back lighting, probe clearance, part security, ease of loading and unloading are all considered in our design process.

GANG UP FIXTURES

Gang-Up Fixturing can be created for holding an entire batch of parts at once. This can be a huge time saver when measuring a large volume of parts and pays for itself in no time with the increase in efficiency.

Hire PrymeTech to write a program for your new Gang-Up Fixture and get a turn-key solution based on your specific needs.

**CONTACT US FOR
A QUOTE!**

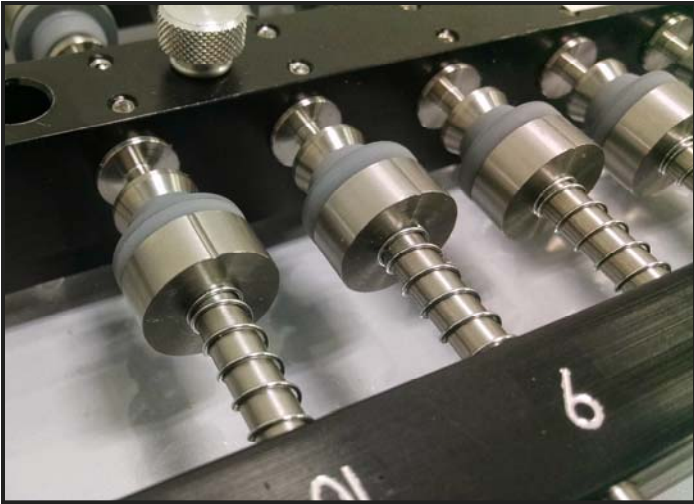
**Follow us on
Facebook to see
future projects**



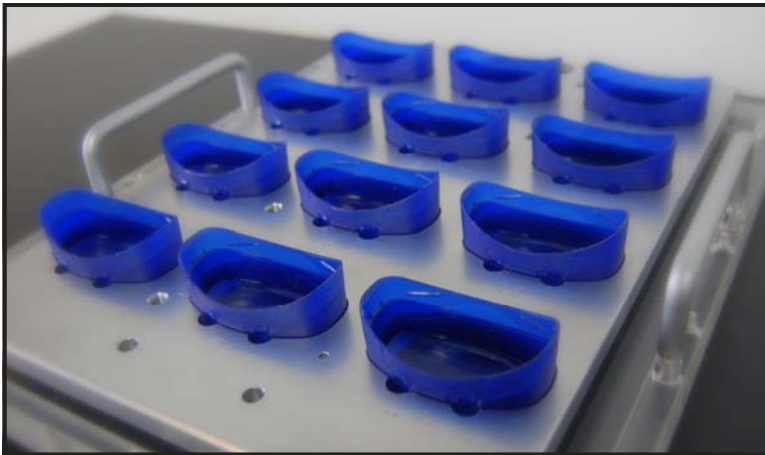
**and examples of our
Custom Fixturing!**

CMM & Multi-Sensor FIXTURES

Spring Loaded Rubber Stopper Fixture



Cap Holder Fixture



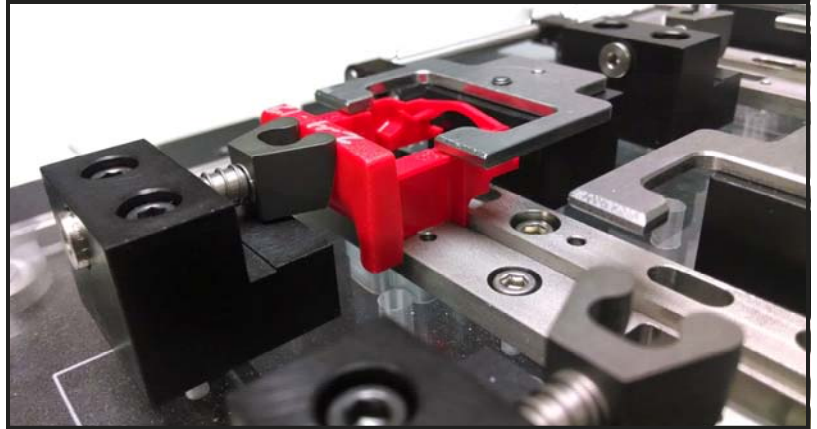
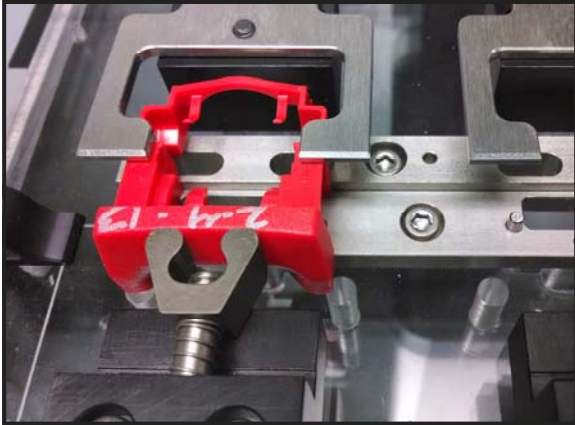
Clamping Gang-Up Fixture



Spring Loaded Plunger Rod Fixture



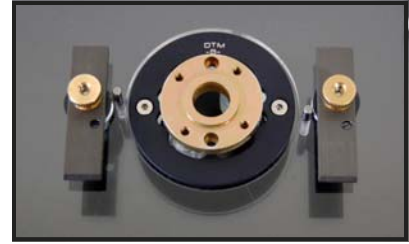
Spring Clamp Gang-Up Fixture



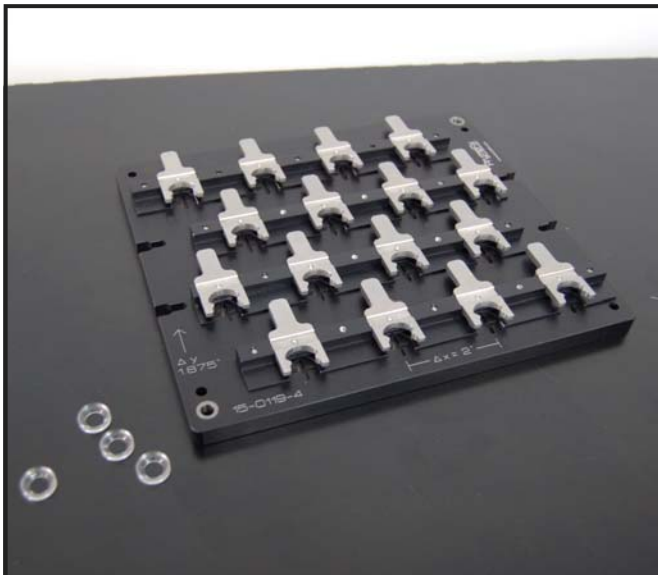
Custom Sleeve Gang-Up Fixture



Two-View Acrylic Base Fixture



Gang-Up Clamping Fixture



Custom Spring Plunger Fixture With Part Outline





Zeiss O-Inspect Line



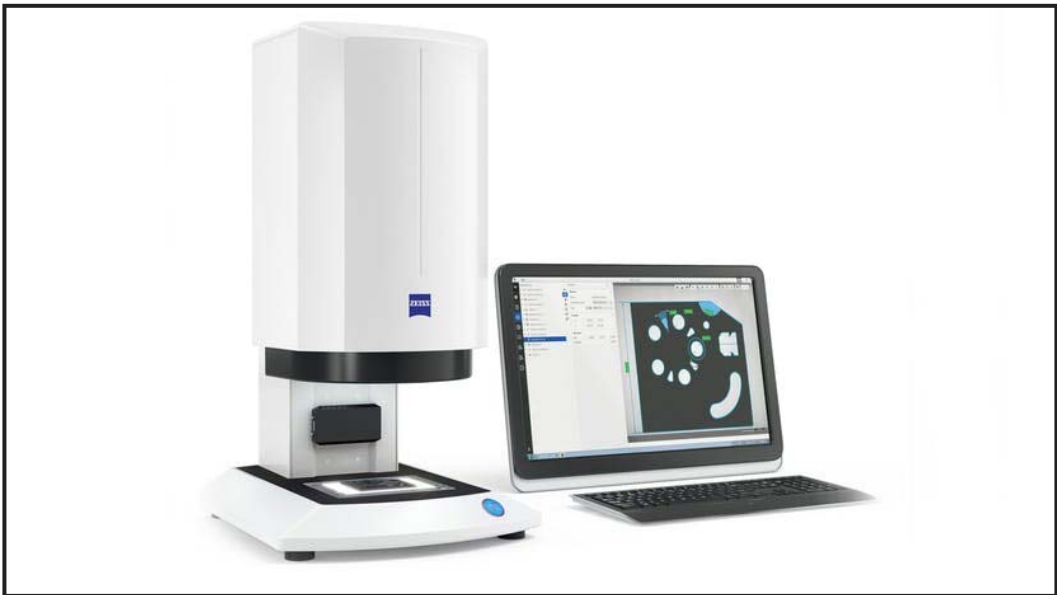
Zeiss CMM Line



Zeiss Comet 3D Scanner and T-Scan



Zeiss O-Select



We have partnered with Zeiss, and are now certified distributors of their high accuracy metrology equipment! Contact our sales department to receive a quote for any Zeiss equipment. We can help you decide which equipment would best suit your needs and can even demonstrate its capabilities tailored to your parts.

COMPANY BACKGROUND



Richard Domaleczny is President of PrymeTech Precision Machining, a leading manufacturer of CNC machined components and sophisticated metrology fixturing solutions. He started PrymeTech in 2006 partnering with his brother Peter Domaleczny. In 2010 PrymeTech branded their own metrology fixturing line, PrymeFix. Before starting PrymeTech, Domaleczny distributed and serviced large scale metrology equipment. During this period he provided turn key solutions that supported various brands of CMM and Vision System machines. Domaleczny holds a dual bachelor's degree in physics and engineering from the University of Illinois- Urbana Champaign & Illinois Wesleyan University.



Peter Domaleczny is the Co-President of PrymeTech Precision Machining. Pete and his brother Rich founded the company in 2006, with the goal of using their experience, along with the use of advanced technology, to bring modern and updated solutions to the industry. Since inception, Peter has worked with his team to double the size of the business year over year. Since then, PrymeTech has become one of the leading manufacturers of CNC machined components and metrology fixturing solutions, with several customers on the Fortune 500 list both locally and throughout the United States. Peter received his Bachelor of Science in Computer Science at Illinois State University, and started his career at Union Bank of Switzerland as a Systems Analyst. Prior to his foray into business entrepreneurship, Peter entered the world of Metrology as an Applications Engineer. Now, as Co-Owner and Co-President of PrymeTech, Peter's focuses are on Business Operations and Plant Management. Peter is looking forward to the continuous success of the business through the expansion of recently added business units and investment in human capital.

INSERTS 4

- Acrylic Inserts 5
- Aluminum Inserts 8
- Calibration Inserts 10
 - Acrylic Bases 11
 - Cartridges 13
 - Cartridge Covers 15
- Centers Inserts 16
- Anvils 17

CORNERS 18

- Corner Nests 19
- Corner Inserts 21
- Universal Corner Nests 23
 - Magnetic Corner Pucks 24
 - Universal Corner Adaptors 25
 - Guide Rails 27

FIXTURE ACCESSORIES 28

- Calibration Artifacts 28
- Gage Pin Holders 30
- Kinematic Dock Mount 32
- Leveling Feet 34
- Low Profile Handles 35
- Micro Vices 36
- Set Screws & Converters 37
- Slide Arms 38
- Stand Offs 39
- Special Stand Offs 41
- Tube Fixture 43
- Touch Clamps 44
- V-Blocks 45

FIXTURE KITS 46

CUSTOM FIXTURES 48

EQUIPMENT SALES 54

Part Number	Description	Price	Page Number
A54-PRY-STD-001	Rotary Chuck Cartridge	\$375	13
A55-PRY-STD-001	Recticle Cartridge	\$225	13
A55-PRY-STD-002	Standard Cartridge Cover	\$35	15
A56-PRY-STD-001	90° Calibration Stem Base	\$90	29
A56-PRY-STD-002	45° Calibration Stem Base	\$140	29
A56-PRY-STD-003	Calibration Kit	\$730-\$760	28
A56-PRY-STD-004	Touch Probe Cartridge	\$200	13
A56-PRY-STD-005	Ø12mm Calibration Sphere	\$590	29
A56-PRY-STD-006	Ø25mm Calibration Sphere	\$625	29
A57-PRY-STD-001	Laser Artifact Cartridge	\$200	14
A57-PRY-STD-002	Laser Cartridge Cover	\$40	15
A58-PRY-STD-001	Ring Gage Cartridge	\$200	14
A59-PRY-STD-001	Gage Block Cartridge	\$200	14
A60-PRY-STD-200150	PrymeFix Calibration Insert	\$750	11
A60-PRY-STD-200200	PrymeFix Calibration Insert	\$750	11
A60-PRY-STD-300150	PrymeFix Calibration Insert	\$850	12
C11-PRY-STD-001	Corner Insert (Small)	\$550	21
C12-PRY-STD-001	Corner Insert (Medium)	\$650	22
C13-PRY-STD-001	Corner Insert (Large)	\$750	22
C14-PRY-STD-001	Corner Insert (Micro)	\$75	22
F11-PRY-STD-001	Adjustable Leveling Foot With Locking Collar	\$20	34
F15-PRY-STD-001	Adjustable Leveling Foot	\$25	34
G11-PRY-STD-0100	Gage Pin Holder	\$14.50	30
G11-PRY-STD-0200	Gage Pin Holder	\$14.50	30
G11-PRY-STD-0300	Gage Pin Holder	\$14.50	30
G11-PRY-STD-0400	Gage Pin Holder	\$14.50	30
G11-PRY-STD-0500	Gage Pin Holder	\$14.50	30
G12-PRY-STD-0600	Gage Pin Holder	\$16	31
G12-PRY-STD-0700	Gage Pin Holder	\$16	31
G12-PRY-STD-0800	Gage Pin Holder	\$16	31
G12-PRY-STD-0900	Gage Pin Holder	\$16	31
G12-PRY-STD-1000	Gage Pin Holder	\$16	31
G12-PRY-STD-1100	Gage Pin Holder	\$16	31

Part Number	Description	Price	Page Number
G12-PRY-STD-1200	Gage Pin Holder	\$16	31
H11-PRY-STD-001	Low Profile Handle	\$35	35
I11-PRY-STD-150075	1/4-20 Cross Pattern Acrylic Insert	\$600	5
I11-PRY-STD-200150	1/4-20 Cross Pattern Acrylic Insert	\$600	5
I11-PRY-STD-200200	1/4-20 Cross Pattern Acrylic Insert	\$600	5
I11-PRY-STD-300150	1/4-20 Cross Pattern Acrylic Insert	\$750	5
I11-PRY-STD-300200	1/4-20 Cross Pattern Acrylic Insert	\$750	5
I11-PRY-STD-300300	1/4-20 Cross Pattern Acrylic Insert	\$850	5
I11-PRY-STD-500450	1/4-20 Cross Pattern Acrylic Insert	\$850	5
I12-PRY-STD-150075	1/4-20 Complete Pattern Acrylic Insert	\$600	5
I12-PRY-STD-200150	1/4-20 Complete Pattern Acrylic Insert	\$600	5
I12-PRY-STD-200200	1/4-20 Complete Pattern Acrylic Insert	\$600	5
I12-PRY-STD-300150	1/4-20 Complete Pattern Acrylic Insert	\$750	5
I12-PRY-STD-300200	1/4-20 Complete Pattern Acrylic Insert	\$750	5
I12-PRY-STD-300300	1/4-20 Complete Pattern Acrylic Insert	\$850	5
I12-PRY-STD-500450	1/4-20 Complete Pattern Acrylic Insert	\$850	5
I13-PRY-STD-150075	1/4-20 Cut Out Pattern Acrylic Insert	\$600	6
I13-PRY-STD-200150	1/4-20 Cut Out Pattern Acrylic Insert	\$600	6
I13-PRY-STD-200200	1/4-20 Cut Out Pattern Acrylic Insert	\$600	6
I13-PRY-STD-300150	1/4-20 Cut Out Pattern Acrylic Insert	\$750	6
I13-PRY-STD-300200	1/4-20 Cut Out Pattern Acrylic Insert	\$750	6
I13-PRY-STD-300300	1/4-20 Cut Out Pattern Acrylic Insert	\$800	6
I13-PRY-STD-500450	1/4-20 Cut Out Pattern Acrylic Insert	\$800	6
I21-PRY-STD-150075	M4 Cross Pattern Acrylic Insert	\$600	6
I21-PRY-STD-200150	M4 Cross Pattern Acrylic Insert	\$600	6
I21-PRY-STD-200200	M4 Cross Pattern Acrylic Insert	\$600	6
I21-PRY-STD-300150	M4 Cross Pattern Acrylic Insert	\$750	6
I21-PRY-STD-300200	M4 Cross Pattern Acrylic Insert	\$750	6
I21-PRY-STD-300300	M4 Cross Pattern Acrylic Insert	\$850	6
I21-PRY-STD-500450	M4 Cross Pattern Acrylic Insert	\$850	6

Part Number	Description	Price	Page Number
I22-PRY-STD-150075	M4 Complete Pattern Acrylic Insert	\$600	7
I22-PRY-STD-200150	M4 Complete Pattern Acrylic Insert	\$600	7
I22-PRY-STD-200200	M4 Complete Pattern Acrylic Insert	\$600	7
I22-PRY-STD-300150	M4 Complete Pattern Acrylic Insert	\$750	7
I22-PRY-STD-300200	M4 Complete Pattern Acrylic Insert	\$750	7
I22-PRY-STD-300300	M4 Complete Pattern Acrylic Insert	\$850	7
I22-PRY-STD-500450	M4 Complete Pattern Acrylic Insert	\$850	7
I23-PRY-STD-150075	M4 Cut Out Pattern Acrylic Insert	\$600	7
I23-PRY-STD-200150	M4 Cut Out Pattern Acrylic Insert	\$600	7
I23-PRY-STD-200200	M4 Cut Out Pattern Acrylic Insert	\$600	7
I23-PRY-STD-300150	M4 Cut Out Pattern Acrylic Insert	\$750	7
I23-PRY-STD-300200	M4 Cut Out Pattern Acrylic Insert	\$750	7
I23-PRY-STD-300300	M4 Cut Out Pattern Acrylic Insert	\$800	7
I23-PRY-STD-500450	M4 Cut Out Pattern Acrylic Insert	\$800	7
I32-PRY-STD-300300	1/4-20 Threaded Aluminum Insert	\$850	8
I32-PRY-STD-400400	1/4-20 Threaded Aluminum Insert	\$975	8
I32-PRY-STD-500950	1/4-20 Threaded Aluminum Insert	\$1,350	8
I32-ZSS-ACA-0900400	1/4-20 Threaded Aluminum Insert	\$1,650	9
I32-ZSS-ACA-1000400	1/4-20 Threaded Aluminum Insert	\$1,800	9
I32-ZSS-CON-0700400	1/4-20 Threaded Aluminum Insert	\$1,500	9
I32-ZSS-CON-1000400	1/4-20 Threaded Aluminum Insert	\$1,800	9
I33-PRY-STD-300300	M4 Threaded Aluminum Insert	\$850	8
I33-PRY-STD-400400	M4 Threaded Aluminum Insert	\$975	8
I33-PRY-STD-500950	M4 Threaded Aluminum Insert	\$1,350	8
I41-PRY-STD-001	Anvil Kit for Micro Centers Fixture Insert	\$150	17
I42-PRY-STD-001	Micro Centers Fixture Insert	\$850	16
K11-PRY-STD-001	Kinematic Dock Mount System	\$400	32
K11-PRY-STD-002	Magnetic Mount Base	\$165	33
K11-PRY-STD-003	Dock Base	\$150	33
K11-PRY-STD-004	Universal Base	\$125	33
N11-PRY-STD-150075	Magnetic Corner Nest	\$600	19
N11-PRY-STD-200200	Magnetic Corner Nest	\$600	19
N11-PRY-STD-300150	Magnetic Corner Nest	\$600	20
N11-PRY-STD-300300	Magnetic Corner Nest	\$600	20

Part Number	Description	Price	Page Number
N11-PRY-STD-500450	Magnetic Corner Nest	\$675	21
N12-PRY-STD-001	Universal Corner Nest Micro Puck	\$100	24
N12-PRY-STD-002	Universal Corner Nest Small Puck	\$120	24
N12-PRY-STD-003	Universal Corner Nest Medium Puck	\$135	25
N12-PRY-STD-004	Universal Corner Nest Large Puck	\$150	25
N13-PRY-STD-001	Universal Corner Nest Adaptor	\$95	26
N13-PRY-STD-002	Universal Corner Nest Adaptor	\$110	26
N13-375-006	3/8"x6" Universal Corner Nest Guide Rail	\$6	27
N13-375-012	3/8"x12" Universal Corner Nest Guide Rail	\$10	27
N13-375-024	3/8"x24" Universal Corner Nest Guide Rail	\$18	27
N13-375-036	3/8"x36" Universal Corner Nest Guide Rail	\$25	27
N13-375-XXX	3/8"xCustom Length Universal Corner Nest Guide Rail	\$40	27
SA1-PRY-STD-001	1/4-20 Threaded Slide Arm	\$38	38
SA2-PRY-STD-001	M4 Threaded Slide Arm	\$30	38
SC2-PRY-STD-001	Adjustable Cone Standoff	\$25	41
SM1-500-500-001	1/2"x1/2" Magnetic Standoff w/ 1/4-20 Thread	\$28	40
SM1-500-1000-001	1/2"x1" Magnetic Standoff w/ 1/4-20 Thread	\$30	40
SM1-750-500-001	3/4"x1/2" Magnetic Standoff w/ 1/4-20 Thread	\$32	40
SM1-750-1000-001	3/4"x1" Magnetic Standoff w/ 1/4-20 Thread	\$35	40
SO1-500-500-001	1/2"x1/2" Aluminum Standoff w/ 1/4-20 Thread	\$11	39
SO1-500-500-002	1/2"x1/2" Acrylic Standoff w/ 1/4-20 Thread	\$11	39
SO1-500-1000-001	1/2"x1" Aluminum Standoff w/ 1/4-20 Thread	\$11	39
SO1-500-1000-002	1/2"x1" Acrylic Standoff w/ 1/4-20 Thread	\$11	39
SO1-750-500-001	3/4"x1/2" Aluminum Standoff w/ 1/4-20 Thread	\$10	39
SO1-750-500-002	3/4"x1/2" Acrylic Standoff w/ 1/4-20 Thread	\$10	39
SO1-750-1000-001	3/4"x1" Aluminum Standoff w/ 1/4-20 Thread	\$10	39
SO1-750-1000-002	3/4"x1" Acrylic Standoff w/ 1/4-20 Thread	\$10	39
SO1-1000-1000-001	1"x1" Aluminum Standoff w/ 1/4-20 Thread	\$15	39
SO1-1000-2000-001	1"x2" Aluminum Standoff w/ 1/4-20 Thread	\$18	39
SO2-188-375-001	3/16"x3/8" Aluminum Standoff w/ M4 Thread	\$9	40
SO2-188-500-001	3/16"x1/2" Aluminum Standoff w/ M4 Thread	\$9	40

Part Numer	Description	Price	Page Number
SO2-250-375-001	1/4"x3/8" Aluminum Standoff w/ M4 Thread	\$9	40
SO2-250-375-002	1/4"x3/8" Pin Standoff w/ M4 Thread	\$12	40
SO2-250-500-001	1/4"x1/2" Aluminum Standoff w/ M4 Thread	\$9	40
SO2-375-375-001	3/8"x3/8" Aluminum Standoff w/ M4 Thread	\$10	40
SO2-375-375-002	3/8"x3/8" Pin Standoff w/ M4 Thread	\$15	40
SO2-375-500-001	3/8"x1/2" Aluminum Standoff w/ M4 Thread	\$10	40
SO2-375-500-003	3/8"x1/2" Plunger Standoff w/ M4 Thread	\$20	42
S05-PRY-STD-001	M4 to 1/4-24 Converter Screw	\$6.50	37
SP2-250-500-001	Coned Standoff	\$8	42
SP2-375-475-002	Spherical Standoff	\$10	42
SV2-PRY-STD-001	Adjustable V Standoff	\$25	41
TC1-PRY-STD-001	Touch Clamp	\$49	45
TC2-PRY-STD-001	Light Force Touch Clamp	\$49	44
TC2-PRY-STD-002	Medium Force Touch Clamp	\$49	44
TC2-PRY-STD-003	Extended Force Touch Clamp	\$49	44
T11-PRY-STD-001	Tube Fixture	\$660	43
V11-PRY-STD-001	Micro Vice	\$115	36
V41-PRY-STD-001	Magnetic V-Block	\$99	45
Zeiss O-Inspect	Multi-Sensor Measuring System	Request Quote	54
Zeiss CMM	Coordinate Measuring Machines	Request Quote	54
Zeiss 3D Scanners	3D Scanning Systems	Request Quote	55
Zeiss O-Select	Profile Projector	Request Quote	55



155 Prairie Lake Road, Suite A & J
East Dundee, IL 60118

Office : 847.428.7122
Fax : 847.213.9938
Email: sales@prymetech.com

WWW.PRYMETECH.COM
WWW.PRYMEFIX.COM